

RAS Engineering Solutions

University of Iowa Department of Civil and Environmental Engineering

Chatfield Shower-House and Pavilion Area Proposed for Lee County

Description:

The plans contain drawings for a proposed shower-house design for the Chatfield Campgrounds. These are preliminary architectural drawings. The shower-house also has a designed footing detailed. The plans contain architectural drawings for a pavilion shelter area. The area is intended for campers to use while staying at the campgrounds. The shower-house contains restrooms, showers, and a utility room. The pavilion shelter area provides overhead shelter and seating for campers.



Table of Contents

- Site Plan - 1
- Shower-House Floor Plan - 2
- Shower-House Plan and Profile - 3
- Shower-House Footing - 4
- Pavilion Plan and Profile - 5
- Pavilion Slab - 6

PROJECT:	CEE: 4850
DATE :	5/8/2020
DRAWN BY:	RAS Engineering Solutions
REVISION:	

THE UNIVERSITY OF IOWA
CIVIL AND ENVIRONMENTAL ENGINEERING
 4105 SEAMANS CENTER FOR THE
 ENGINEERING ARTS AND SCIENCES
 103 S CAPITOL ST
 IOWA CITY, IOWA 52242
 PHONE: 319.335.5647
 FAX: 319.335.5660
 EMAIL: civil-hawks@iowa.edu

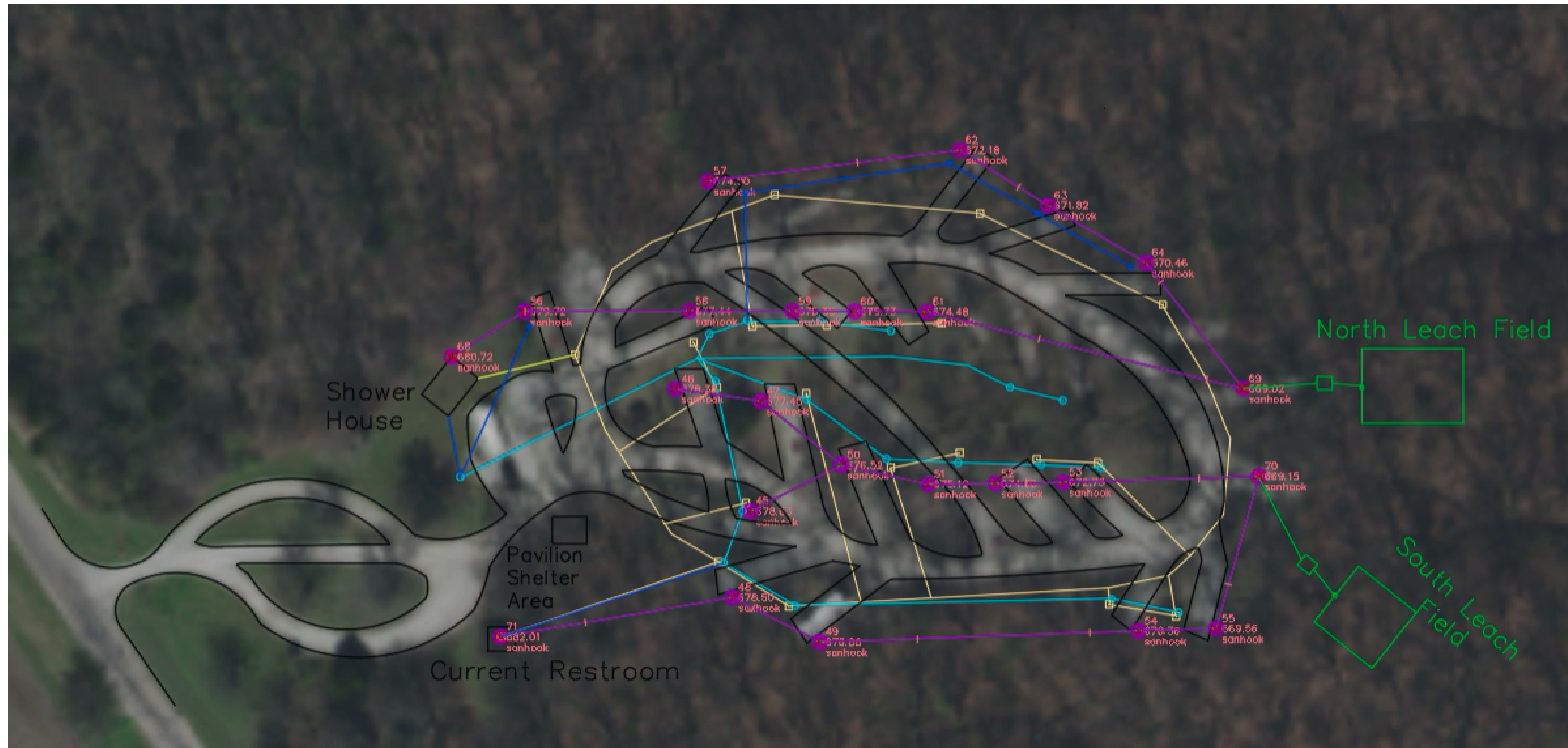


EDUCATIONAL - NOT FOR CONSTRUCTION

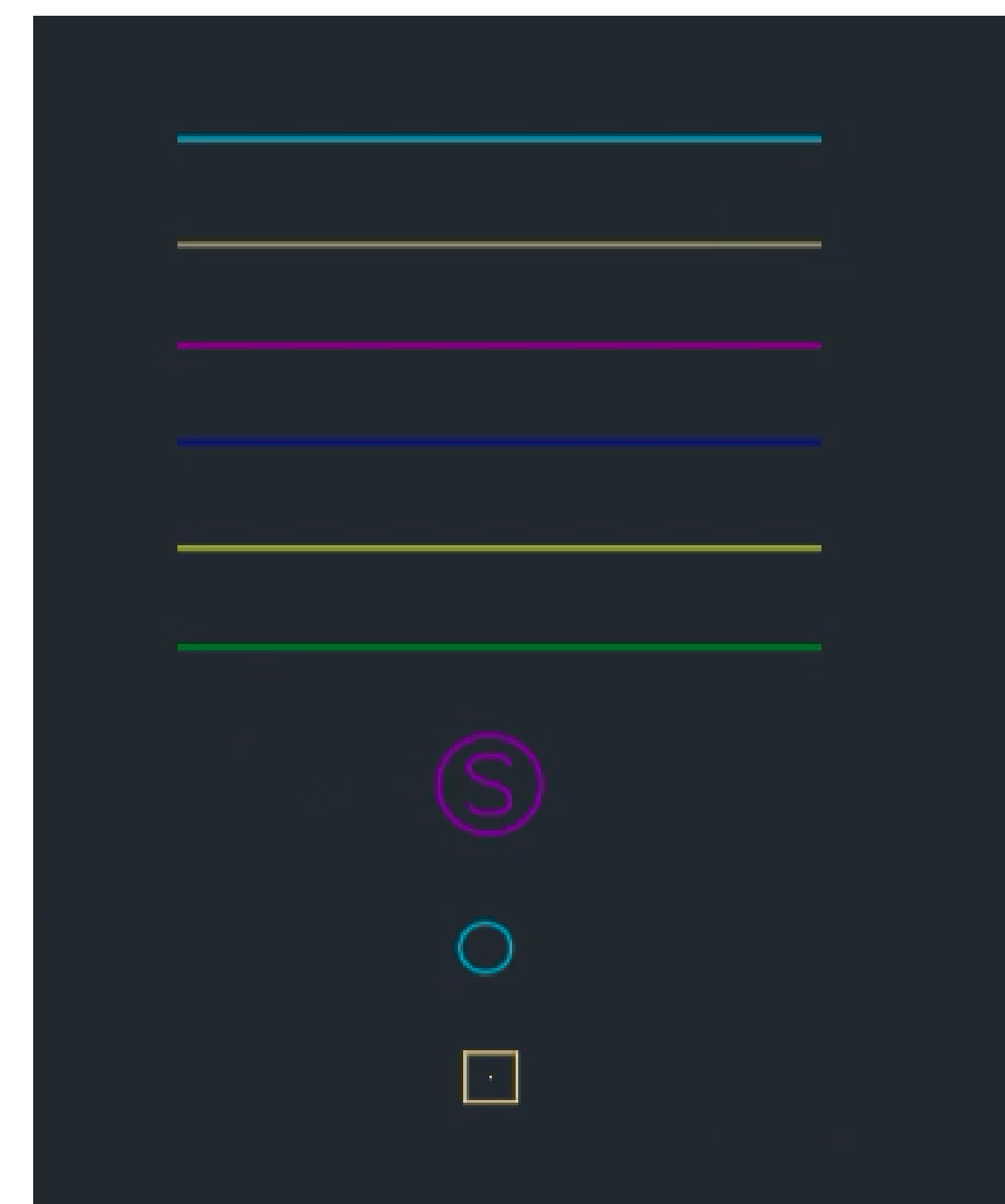
Chatfield Campground Upgrades
 Shower-House and Pavilion Shelter Area

SHEET NAME
 Title Sheet

SHEET NO.



Legend:



- Current Water Line
- Current Electric Line
- Proposed Sanitary Line
- Proposed Electric Line
- Septic Tank and Leach Field
- Sanitary Hook Up
- Water Hook up
- Electric Hook Up

PROJECT:	CEE: 4850
DATE:	5/8/2020
DRAWN BY:	RAS Engineering Solutions
REVISION:	

THE UNIVERSITY OF IOWA
CIVIL AND ENVIRONMENTAL ENGINEERING
 4105 SEAMANS CENTER FOR THE
 ENGINEERING ARTS AND SCIENCES
 103 S CAPITOL ST
 IOWA CITY, IOWA 52242
 PHONE: 319.335.5647
 FAX: 319.335.5660
 EMAIL: civil-hawks@iowa.edu



EDUCATIONAL - NOT FOR CONSTRUCTION

Chatfield Campground Upgrades
 Shower-House and Pavilion Shelter Area

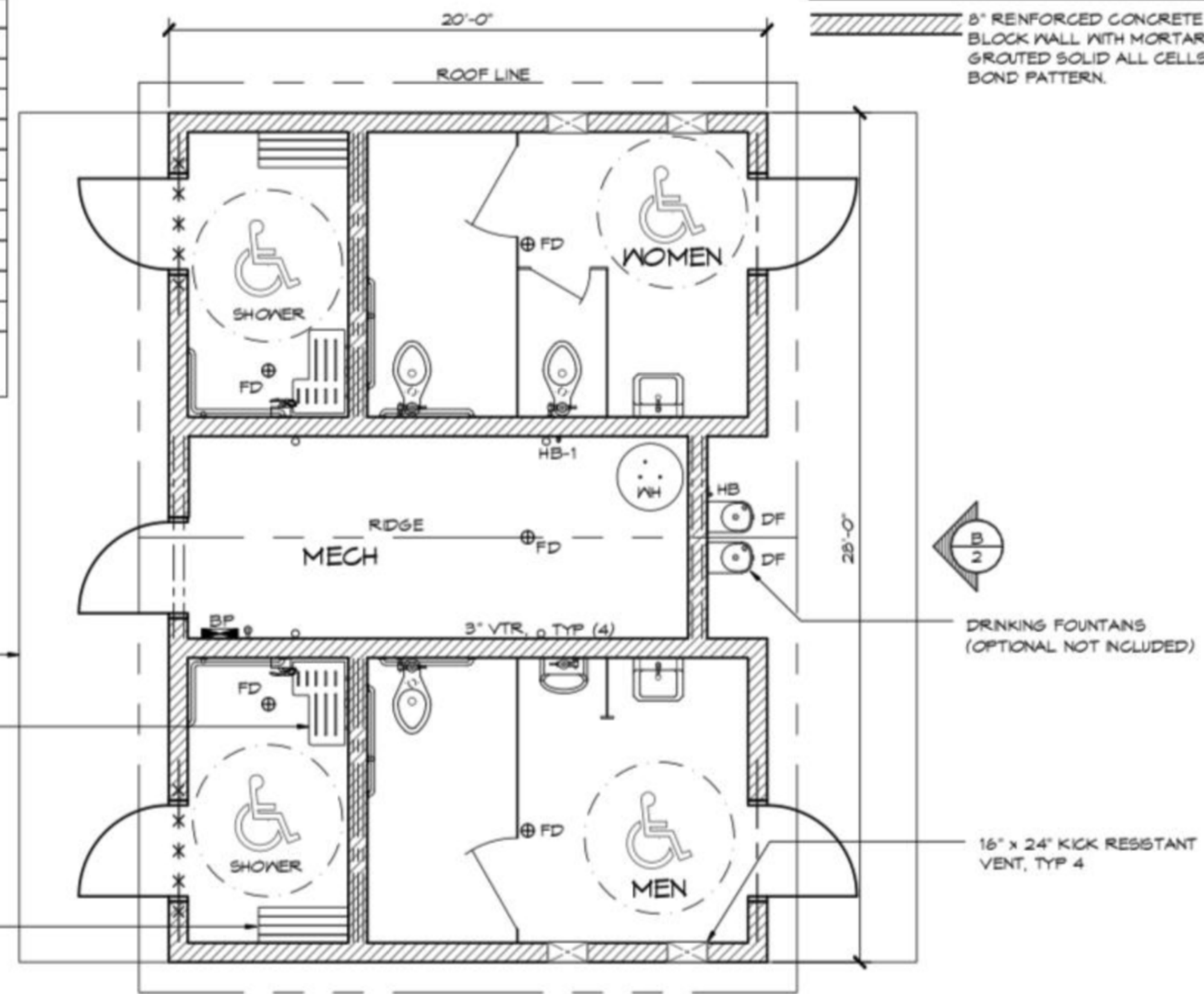
SHEET NAME
 Site Plan

SHEET NO.
 1

LEGEND		
SYMBOL	DESCRIPTION	AREA/ QUANTITY
---	GABLE VENT	2
-----	LOUVERED GABLE VENT	2
---	RIDGE VENT	4
≡≡≡	2x8 WOOD FILLER WALL	2
□	EXTERIOR WALL LIGHTS	6
□	INTERIOR WALL LIGHTS	4
□	INTERIOR CEILING LIGHTS	1
⊕	FLOOR DRAIN	5
⊕	ELECTRICAL OUTLET	1
⊕ _{HB-1}	WALL FAUCET	1
⊕ _{HB}	WALL HYDRANT	1
⊕	16" x 24" KICKPROOF WALL VENT	4

WALL TYPE SCHEDULE

 8" REINFORCED CONCRETE MASONRY BLOCK WALL WITH MORTAR JOINTS, GROUTED SOLID ALL CELLS RUNNING BOND PATTERN.

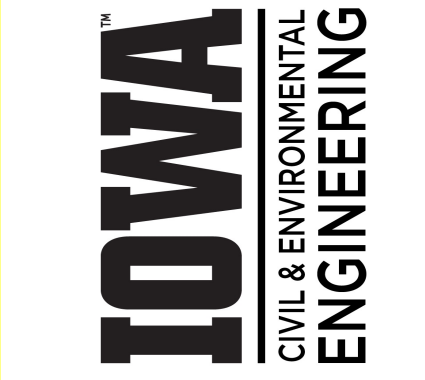


1 FLOOR PLAN
SCALE: 1/4" = 1'-0"

THESE PLAN VIEW AND ELEVATION DRAWINGS ARE A PRELIMINARY ARCHITECTURAL REPRESENTATION OF THE BUILDING. ALL DIMENSIONS, FEATURES AND COMPONENTS SHOWN ON THESE PRELIMINARY DRAWINGS MAY OR MAY NOT BE PART OF THE QUOTE. PLEASE REFER TO THE "SCOPE OF SUPPLY AND SERVICES" LETTER PROVIDED WITH YOUR QUOTE FOR ROMTEC'S PROPOSED SCOPE OF SUPPLY.

PROJECT: CEE-4850
DATE: 5/8/2020
DRAWN BY: RAS Engineering Solutions
REVISION:

THE UNIVERSITY OF IOWA
CIVIL AND ENVIRONMENTAL ENGINEERING
4105 SEAMANS CENTER FOR THE
ENGINEERING ARTS AND SCIENCES
103 S CAPITOL ST
IOWA CITY, IOWA 52242
PHONE: 319.335.5647
FAX: 319.335.5660
EMAIL: civil-hawks@iowa.edu



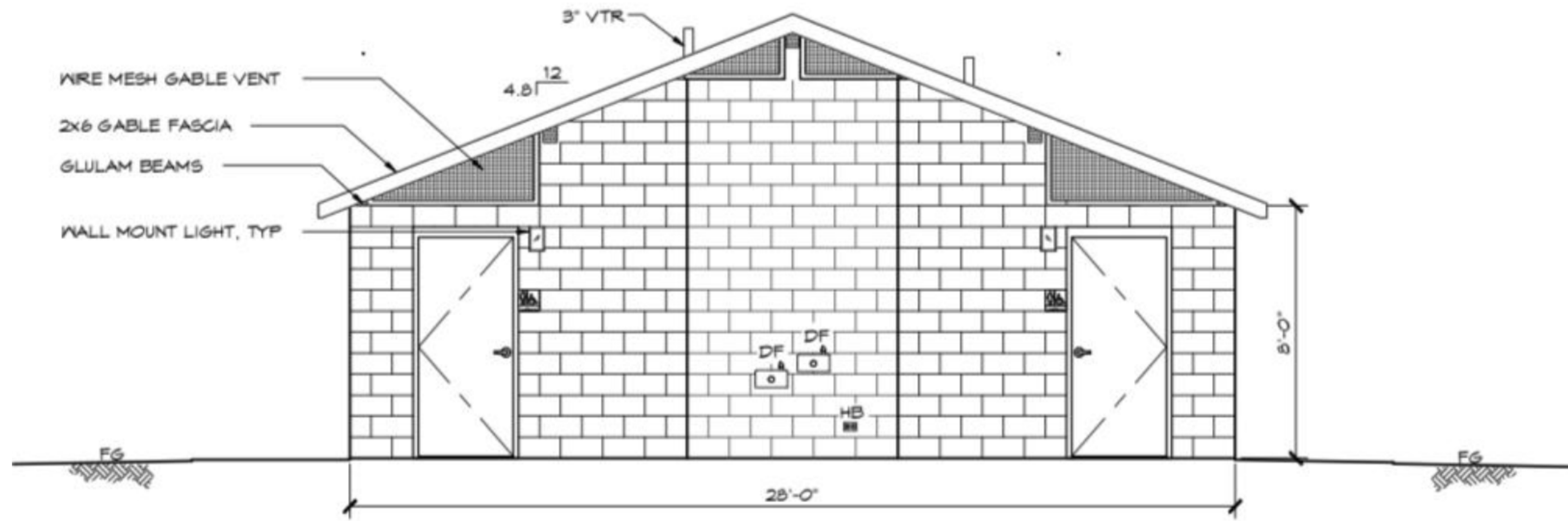
EDUCATIONAL - NOT FOR CONSTRUCTION

Chatfield Campground Upgrades
Shower-House and Pavilion Shelter Area

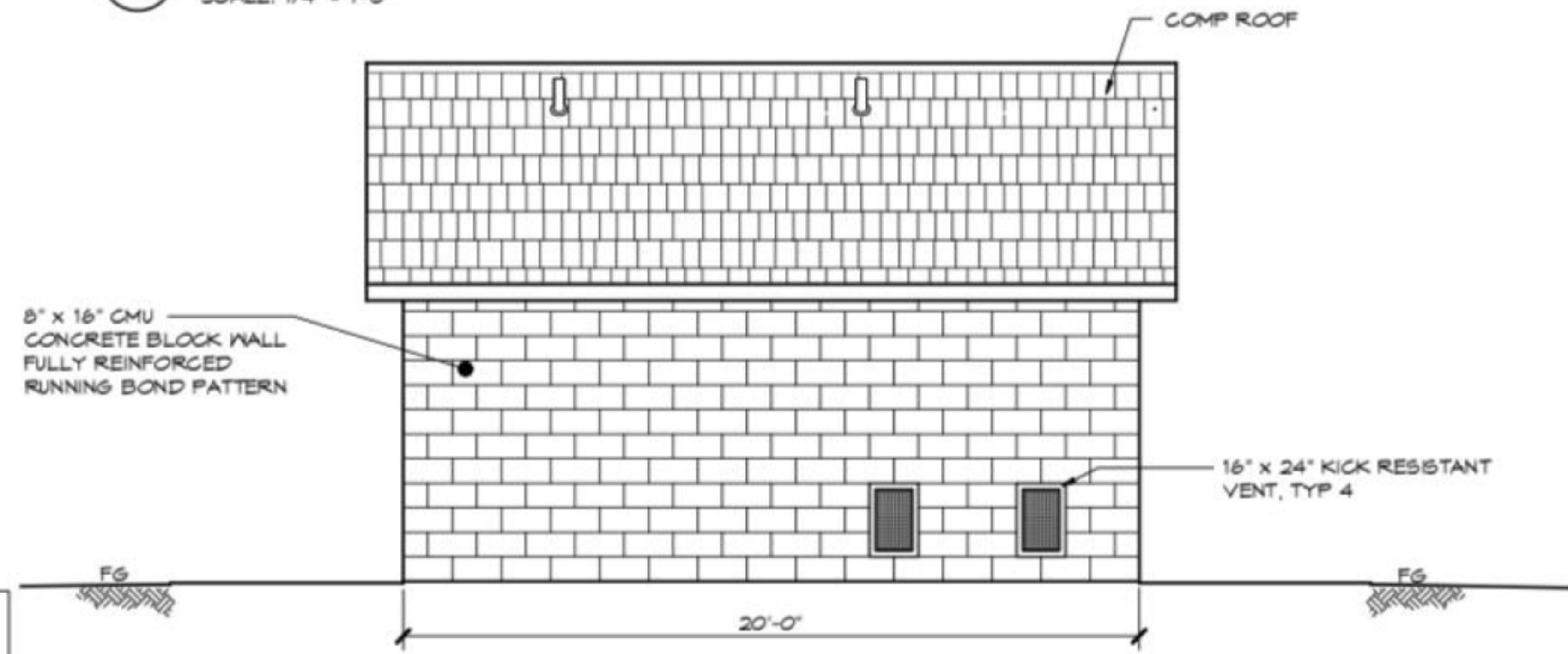
SHEET NAME
Shower-House
Floor Plan

SHEET NO.
2

Current architectural drawings used from Romtec Design services.



(B) ELEVATION VIEW
SCALE: 1/4" = 1'-0"



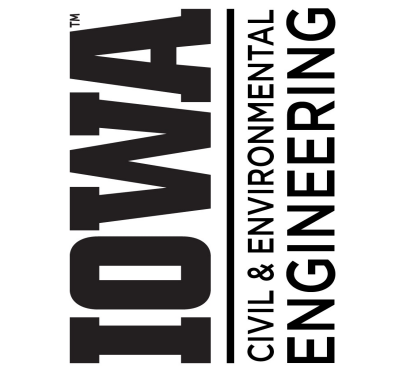
(C) ELEVATION VIEW
SCALE: 1/4" = 1'-0"

THESE PLAN VIEW AND ELEVATION DRAWINGS ARE A PRELIMINARY ARCHITECTURAL REPRESENTATION OF THE BUILDING. ALL DIMENSIONS, FEATURES AND COMPONENTS SHOWN ON THESE PRELIMINARY DRAWINGS MAY OR MAY NOT BE PART OF THE QUOTE. PLEASE REFER TO THE "SCOPE OF SUPPLY AND SERVICES" LETTER PROVIDED WITH YOUR QUOTE FOR ROMTEC'S PROPOSED SCOPE OF SUPPLY.

Current architectural drawings used from Romtec Design services.

PROJECT: CEE: 4850
DATE: 5/8/2020
DRAWN BY: RAS Engineering Solutions
REVISION:

THE UNIVERSITY OF IOWA
CIVIL AND ENVIRONMENTAL ENGINEERING
4105 SEAMANS CENTER FOR THE
ENGINEERING ARTS AND SCIENCES
103 S CAPITOL ST
IOWA CITY, IOWA 52242
PHONE: 319.335.5647
FAX: 319.335.5660
EMAIL: civil-hawks@iowaeu



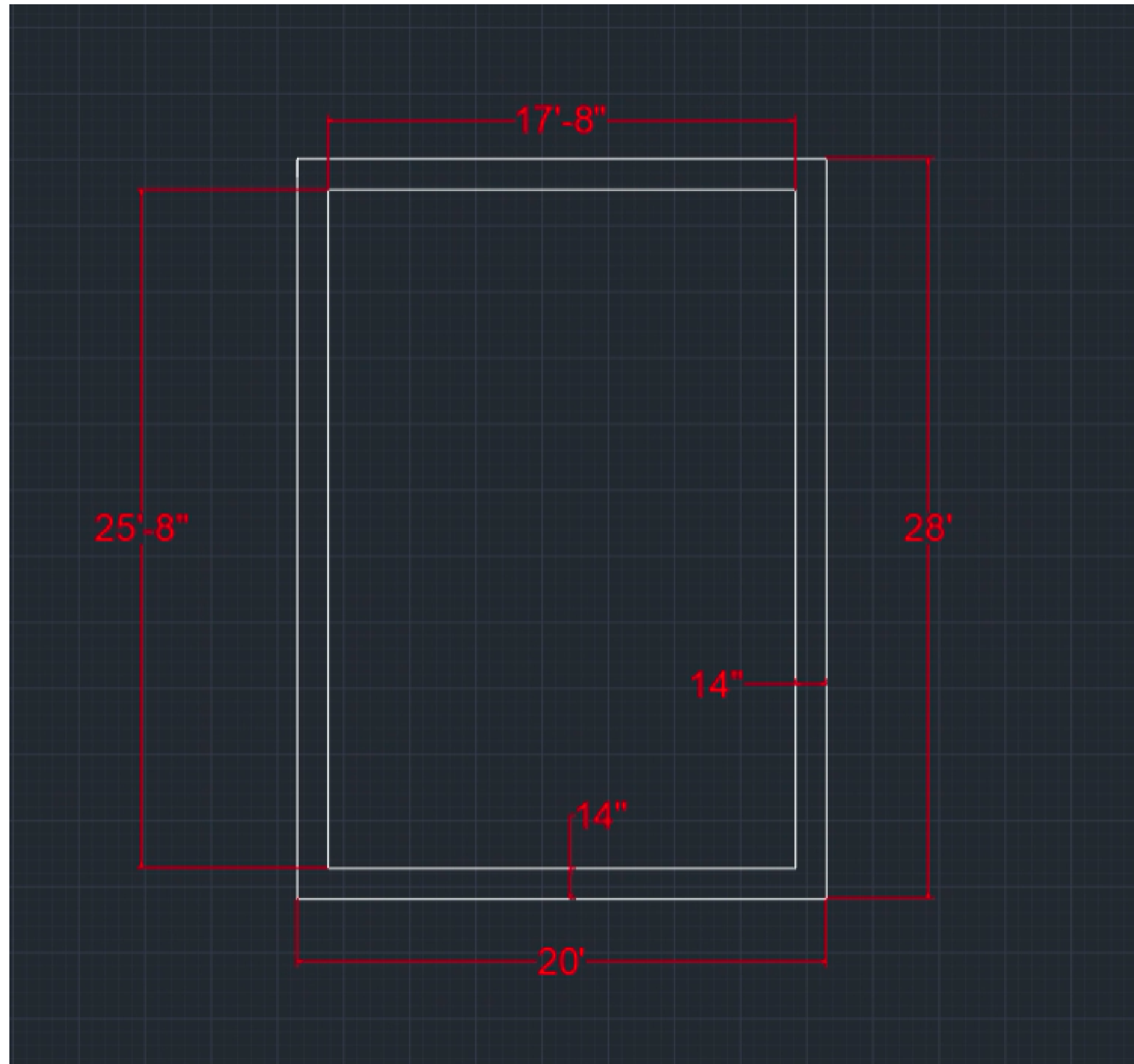
EDUCATIONAL - NOT FOR CONSTRUCTION

Chatfield Campground Upgrades
Shower-House and Pavilion Shelter Area

SHEET NAME
Shower-House
Plan and Profile

SHEET NO.
3

Strip Footing Dimensions

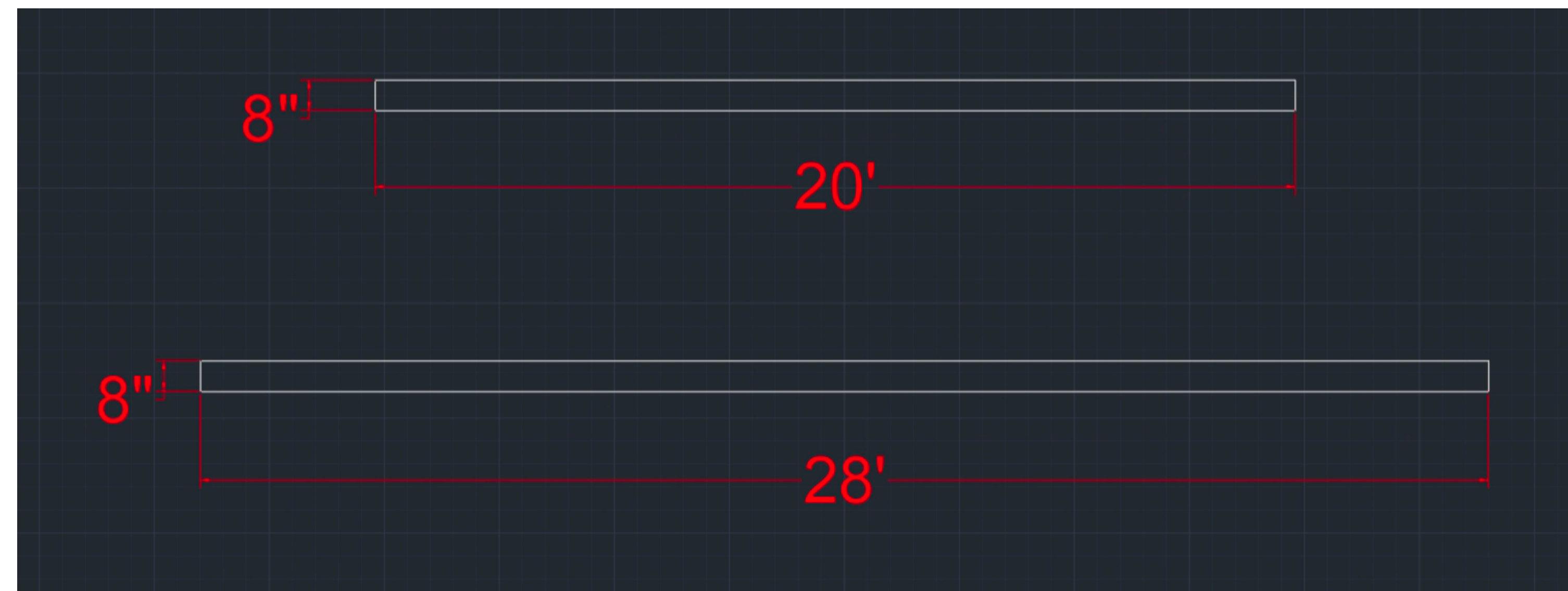


Details:

Footing design to be unreinforced strip footing.

Width: 14"
Depth: 8"

Strip Footing Cross Section:



PROJECT:	CEE: 4850
DATE :	5/8/2020
DRAWN BY:	RAS Engineering Solutions
REVISION:	

THE UNIVERSITY OF IOWA
CIVIL AND ENVIRONMENTAL ENGINEERING
 4105 SEAMANS CENTER FOR THE
 ENGINEERING ARTS AND SCIENCES
 103 S CAPITOL ST
 IOWA CITY, IOWA 52242
 PHONE: 319.335.5647
 FAX: 319.335.5660
 EMAIL: civil-hawks@iowa.edu

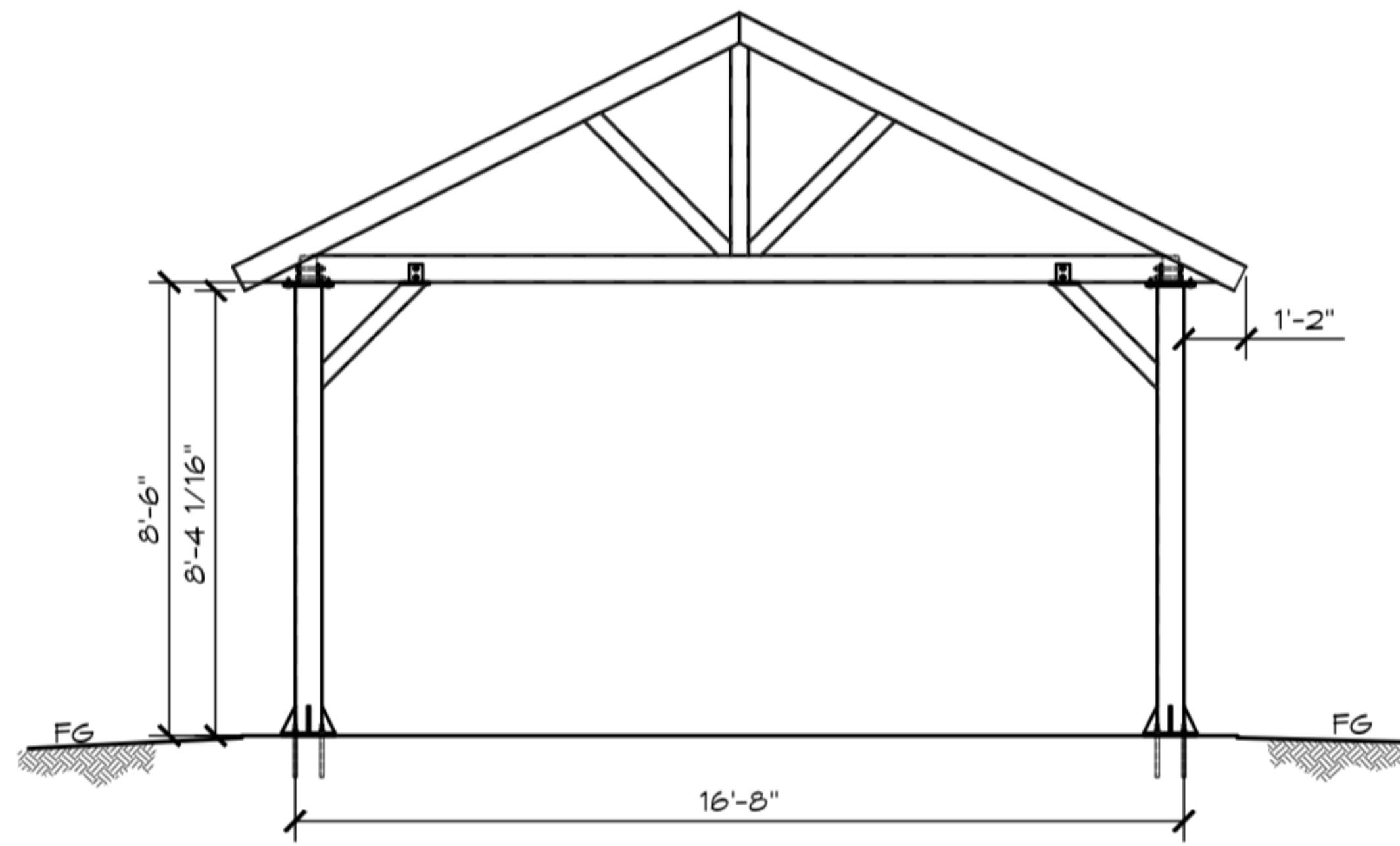


EDUCATIONAL - NOT
FOR CONSTRUCTION

Chatfield Campground Upgrades
 Shower-House and Pavilion Shelter Area

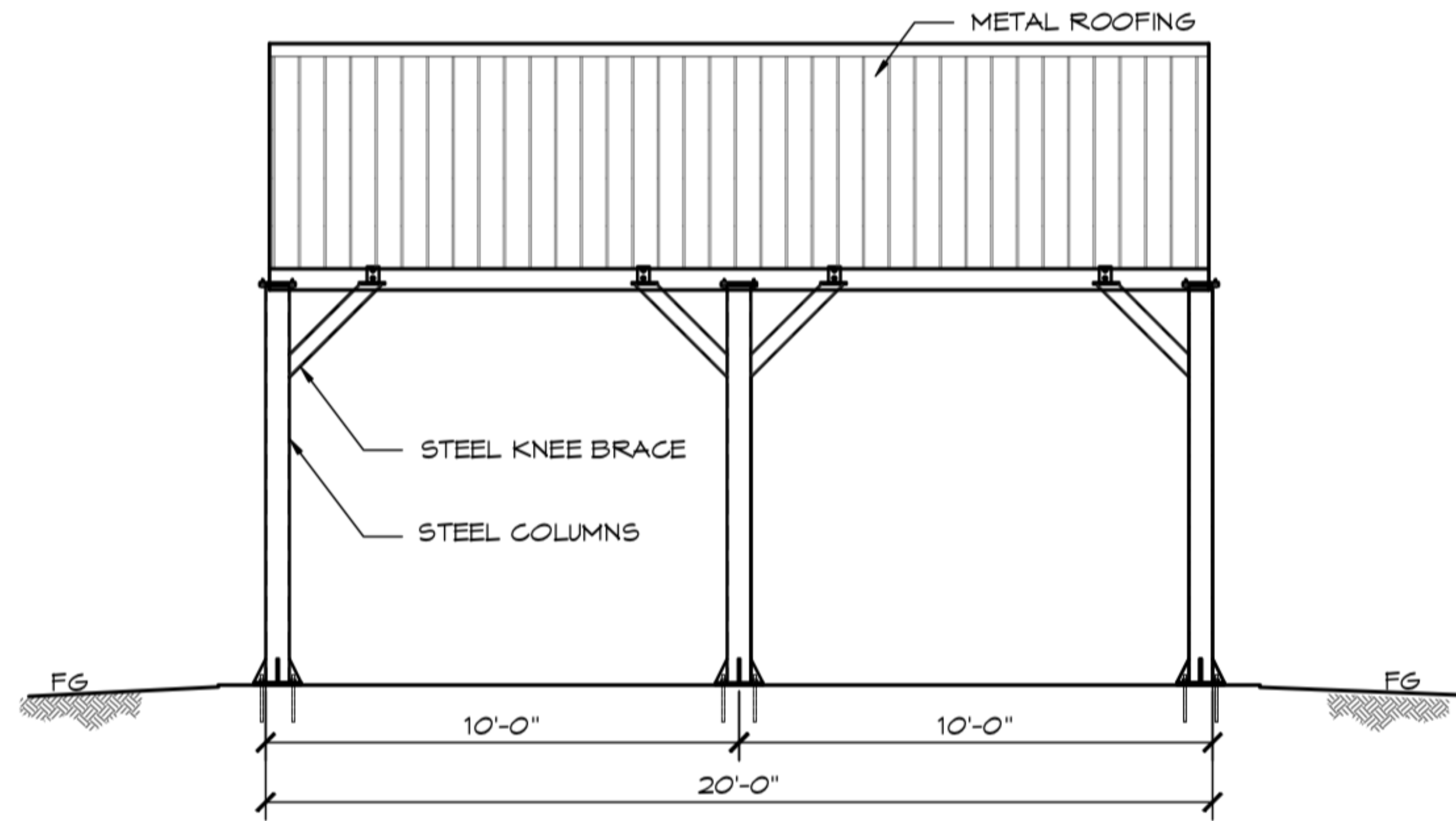
SHEET NAME
 Shower-House
 Footing

SHEET NO.
4



B ELEVATION VIEW
SCALE: 1/4" = 1'-0"

THESE PLAN VIEW AND ELEVATION DRAWINGS ARE A PRELIMINARY ARCHITECTURAL REPRESENTATION OF THE BUILDING. ALL DIMENSIONS, FEATURES AND COMPONENTS SHOWN ON THESE PRELIMINARY DRAWINGS MAY OR MAY NOT BE PART OF THE QUOTE. PLEASE REFER TO THE "SCOPE OF SUPPLY AND SERVICES" LETTER PROVIDED WITH YOUR QUOTE FOR ROMTEC'S PROPOSED SCOPE OF SUPPLY.



C ELEVATION VIEW
SCALE: 1/4" = 1'-0"

Proposed Materials:

Proposed pavilion is a 16'x20' All Steel Gable Rectangular Savannah Pavilion pre-fabricated from Gazebo Creations.

Current architectural drawings used from Romtec Design services.

PROJECT:	CEE: 4850
DATE:	5/8/2020
DRAWN BY:	RAS Engineering Solutions
REVISION:	

THE UNIVERSITY OF IOWA
CIVIL AND ENVIRONMENTAL ENGINEERING
4105 SEAMANS CENTER FOR THE ENGINEERING ARTS AND SCIENCES
103 S CAPITOL ST
IOWA CITY, IOWA 52242
PHONE: 319.335.5647
FAX: 319.335.5660
EMAIL: civil-hawks@iowa.edu

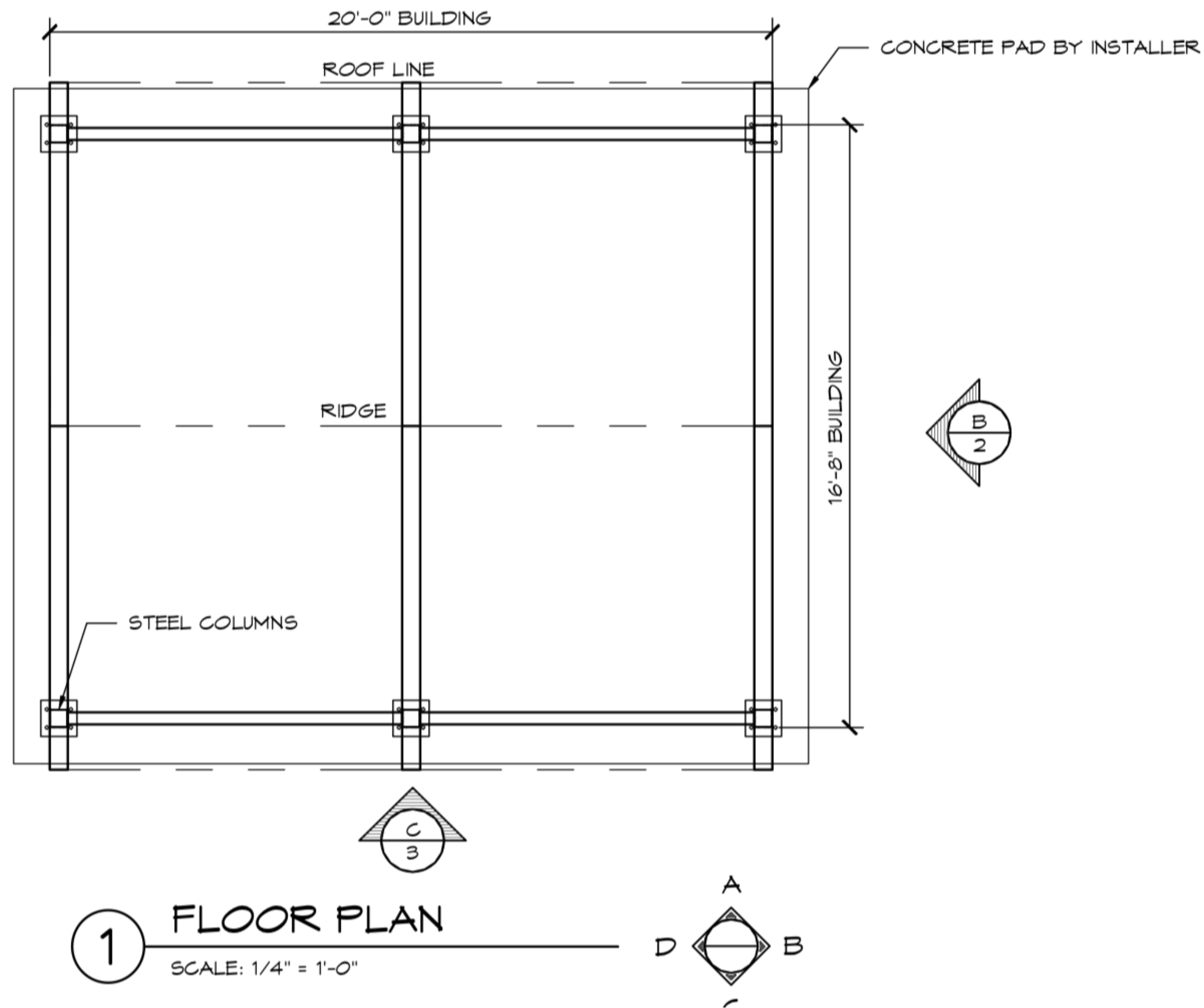
EDUCATIONAL - NOT FOR CONSTRUCTION

Chatfield Campground Upgrades
Shower-House and Pavilion Shelter Area

SHEET NAME
Pavilion Plan and Profile

SHEET NO.
5

THESE PLAN VIEW AND ELEVATION DRAWINGS ARE A PRELIMINARY ARCHITECTURAL REPRESENTATION OF THE BUILDING. ALL DIMENSIONS, FEATURES AND COMPONENTS SHOWN ON THESE PRELIMINARY DRAWINGS MAY OR MAY NOT BE PART OF THE QUOTE. PLEASE REFER TO THE "SCOPE OF SUPPLY AND SERVICES" LETTER PROVIDED WITH YOUR QUOTE FOR ROMTEC'S PROPOSED SCOPE OF SUPPLY.



Design Note:

The pavilion column to concrete slab connection is to be designed more in depth during the next engineering phase. Currently the connection is done via bracket system.

Current architectural drawings used from Romtec Design services.

PROJECT: CEE: 4850
 DATE: 5/8/2020
 DRAWN BY: RAS Engineering Solutions
 REVISION:

THE UNIVERSITY OF IOWA
 CIVIL AND ENVIRONMENTAL ENGINEERING
 4105 SEAMANS CENTER FOR THE
 ENGINEERING ARTS AND SCIENCES
 103 S CAPITOL ST
 IOWA CITY, IOWA 52242
 PHONE: 319.335.5647
 FAX: 319.335.5660
 EMAIL: civil-hawks@iowa.edu



EDUCATIONAL - NOT FOR CONSTRUCTION

Chatfield Campground Upgrades
 Shower-House and Pavilion Shelter Area

SHEET NAME
 Pavilion Slab

SHEET NO.

6