

Sabula Municipal Boat Landing Project

SHEET NO.	INDEX OF SHEETS
1	Cover Sheet
2	Site Plan
3A	Pavilion Floor Plan
3B	Pavilion Elevation Plan
3C	Pavilion North View
3D	Pavilion East View
3E	Pavilion South View
3F	Pavilion West View
4	Dock and Ramp Details
5	Parking Plan
6	Sidewalk Plan
7	Landscaping

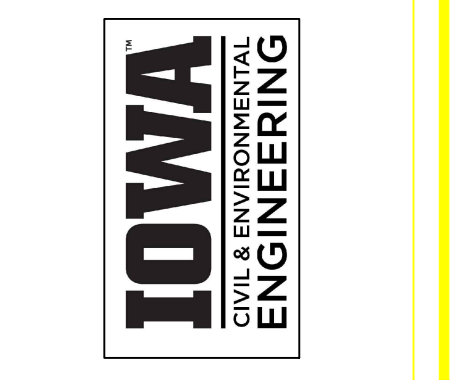
Standards Used

ASCE 7-16
 NDS 2018
 Architectural Graphic Standards 12th Edition



PROJECT:	CEE: 4850
DATE :	05/13/2022
DESIGNED BY:	Larry Phan, Coleb Wright
REVISION:	

THE UNIVERSITY OF IOWA
CIVIL AND ENVIRONMENTAL ENGINEERING
 4105 SEAMANS CENTER FOR THE
 ENGINEERING ARTS AND SCIENCES
 103 S CAPITOL ST
 IOWA CITY, IOWA 52242
 PHONE: 319.335.5647
 FAX: 319.335.5660
 EMAIL: civil-hawks@iowa.edu



EDUCATIONAL - NOT FOR CONSTRUCTION

Sabula Municipal Boat Landing
 515 River Street
 Sabula, IA 52070

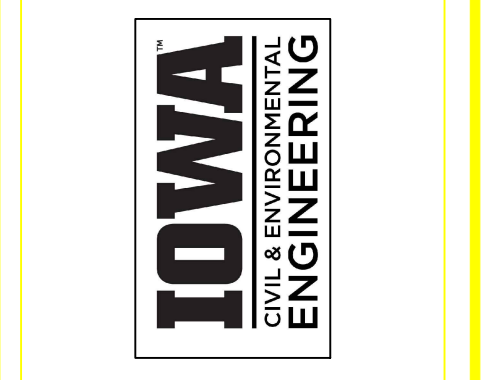
SHEET NAME
 Cover Sheet

SHEET NO.
1



PROJECT:	CEE: 4850
DATE :	05/13/2022
DRAWN BY:	Caleb Wright, Isaac Mize
REVISION:	

THE UNIVERSITY OF IOWA
CIVIL AND ENVIRONMENTAL ENGINEERING
 4105 SEAMANS CENTER FOR THE
 ENGINEERING ARTS AND SCIENCES
 103 S CAPITOL ST
 IOWA CITY, IOWA 52242
 PHONE: 319.335.5647
 FAX: 319.335.5660
 EMAIL: civil-hawks@iowa.edu

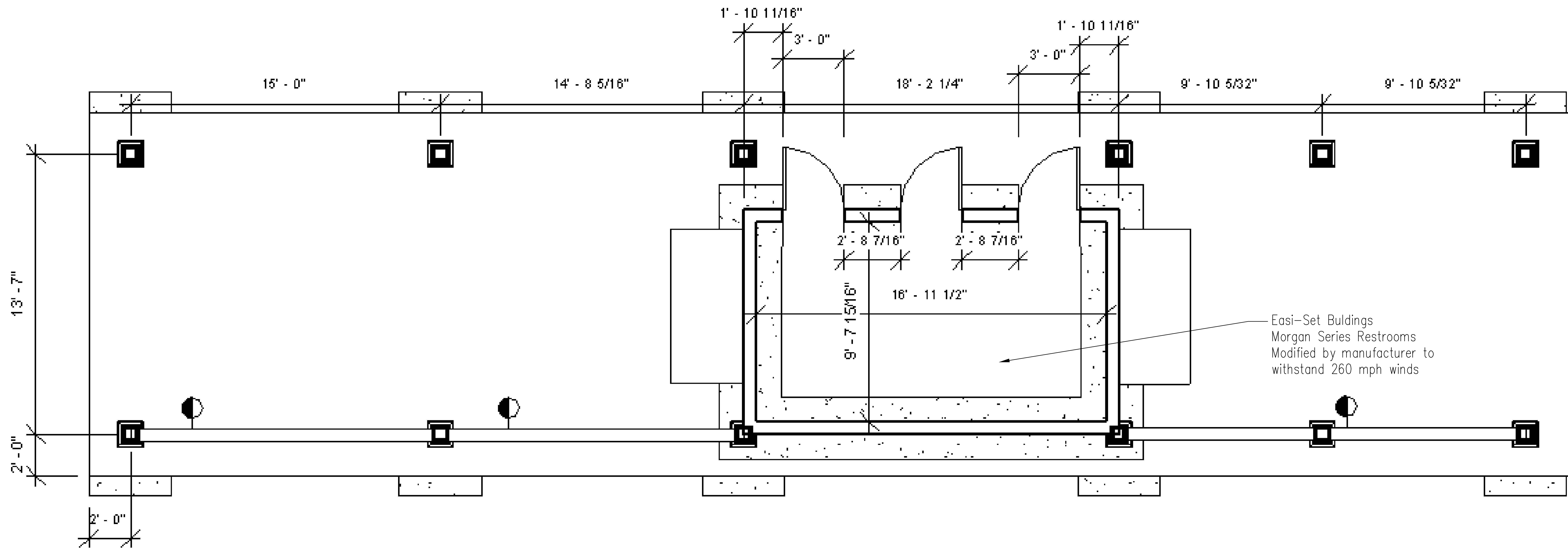


EDUCATIONAL - NOT FOR CONSTRUCTION

Sabula Municipal Boat Landing
 515 River Street
 Sabula, IA 52070

SHEET NAME
 Site Plan

SHEET NO.
2



PRODUCED BY AN AUTODESK STUDENT VERSION

PROJECT:	CEE: 4850
DATE :	05/13/2022
DRAWN BY:	Larry Phan
REVISION:	

THE UNIVERSITY OF IOWA
CIVIL AND ENVIRONMENTAL ENGINEERING
 4105 SEAMANS CENTER FOR THE
 ENGINEERING ARTS AND SCIENCES
 103 S CAPITOL ST
 IOWA CITY, IOWA 52242
 PHONE: 319.335.5647
 FAX: 319.335.5660
 EMAIL: civil-hawks@iowa.edu



EDUCATIONAL - NOT FOR CONSTRUCTION

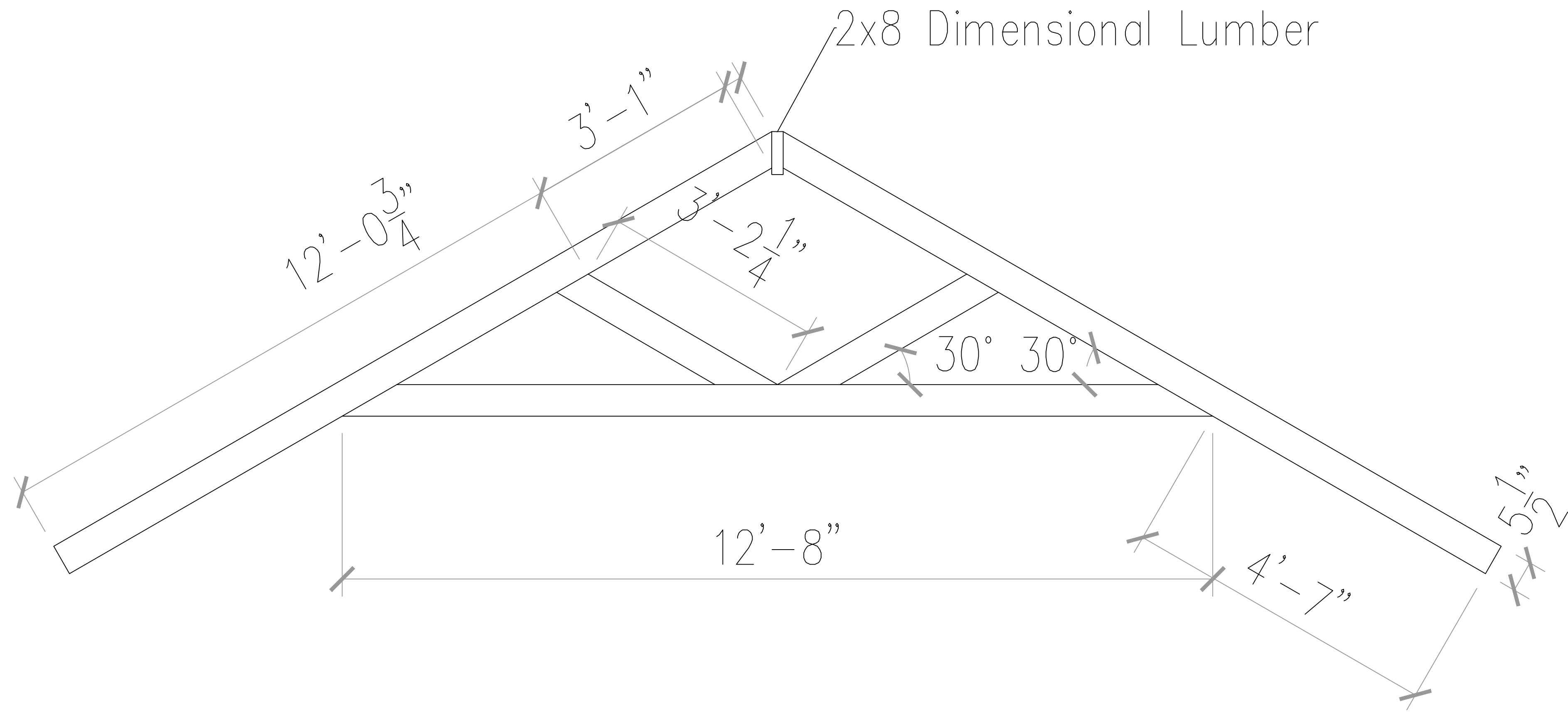
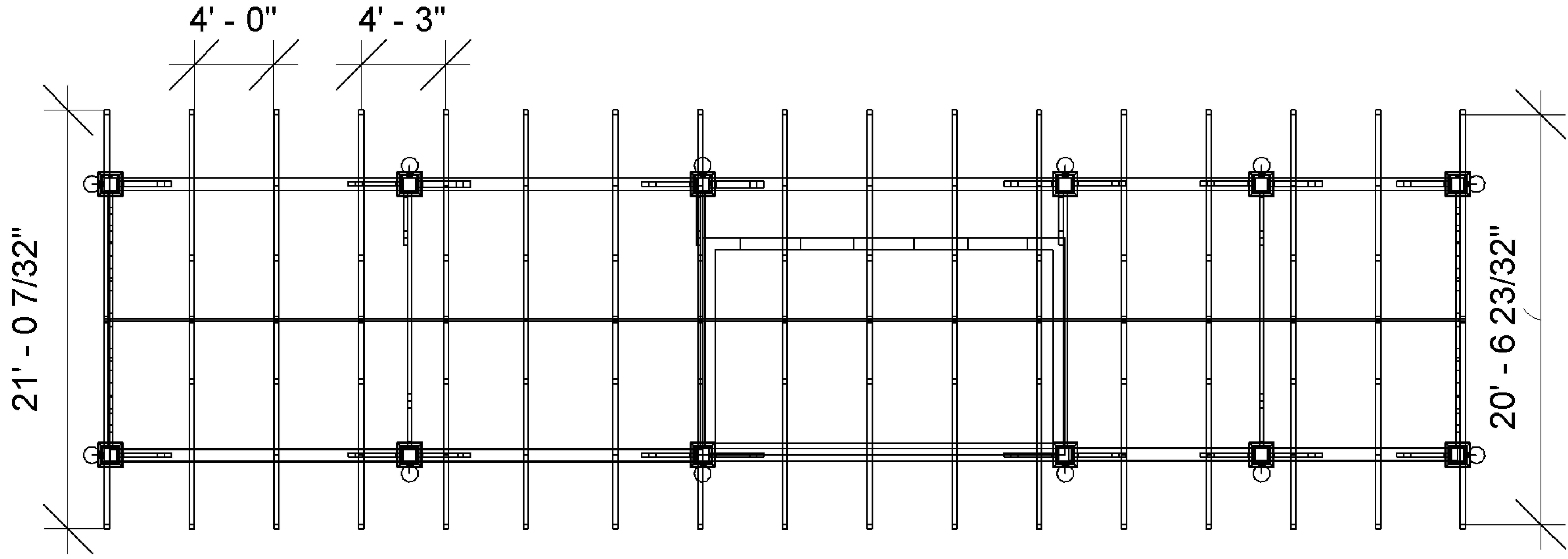
Sabula Municipal Boat Landing

515 River Street
 Sabula, IA 52070

SHEET NAME
 Floor Plan

SHEET NO.
3A

PRODUCED BY AN AUTODESK STUDENT VERSION



PROJECT:	CEE: 4850
DATE :	05/13/2022
DRAWN BY:	Larry Phan
REVISION:	

THE UNIVERSITY OF IOWA
CIVIL AND ENVIRONMENTAL ENGINEERING
 4105 SEAMANS CENTER FOR THE
 ENGINEERING ARTS AND SCIENCES
 103 S CAPITOL ST
 IOWA CITY, IOWA 52242
 PHONE: 319.335.5647
 FAX: 319.335.5660
 EMAIL: civil-hawks@iowa.edu

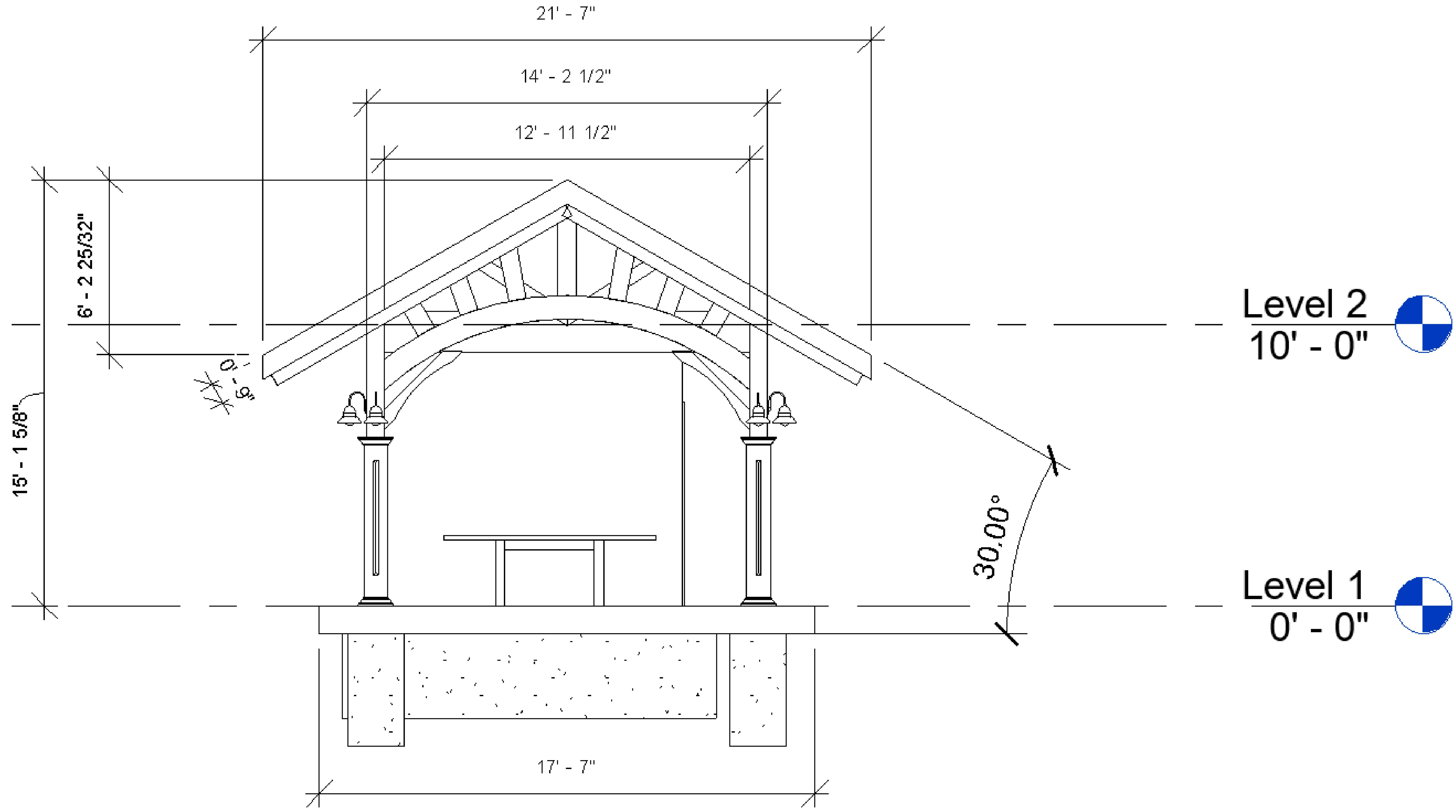


EDUCATIONAL - NOT FOR CONSTRUCTION

Sabula Municipal Boat Landing

515 River Street
 Sabula, IA 52070

SHEET NAME	Elevated Plan
SHEET NO.	3B



PROJECT:	CEE: 4850
DATE :	05/13/2022
DRAWN BY:	Larry Phan
REVISION:	

THE UNIVERSITY OF IOWA
CIVIL AND ENVIRONMENTAL ENGINEERING
 4105 SEAMANS CENTER FOR THE
 ENGINEERING ARTS AND SCIENCES
 103 S CAPITOL ST
 IOWA CITY, IOWA 52242
 PHONE: 319.335.5647
 FAX: 319.335.5660
 EMAIL: civil-hawks@iowa.edu

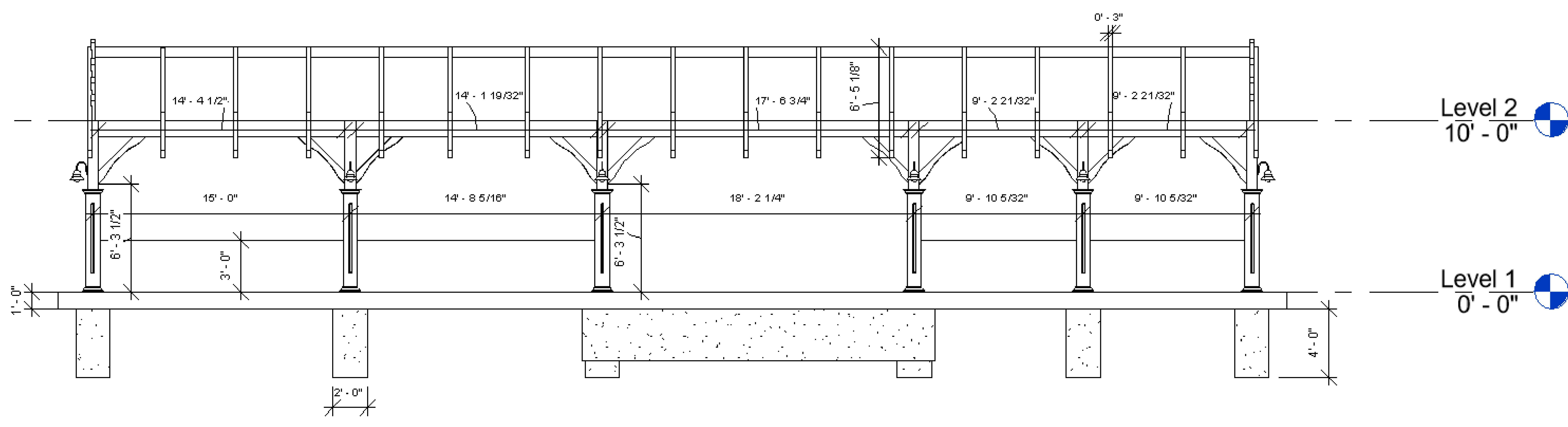


EDUCATIONAL - NOT FOR CONSTRUCTION

Sabula Municipal Boat Landing

515 River Street
 Sabula, IA 52070

SHEET NAME	North View
SHEET NO.	3C



PROJECT:	CEE: 4850
DATE :	05/13/2022
DRAWN BY:	Larry Phan
REVISION:	

THE UNIVERSITY OF IOWA
CIVIL AND ENVIRONMENTAL ENGINEERING
 4105 SEAMANS CENTER FOR THE
 ENGINEERING ARTS AND SCIENCES
 103 S CAPITOL ST
 IOWA CITY, IOWA 52242
 PHONE: 319.335.5647
 FAX: 319.335.5660
 EMAIL: civil-hawks@iowa.edu

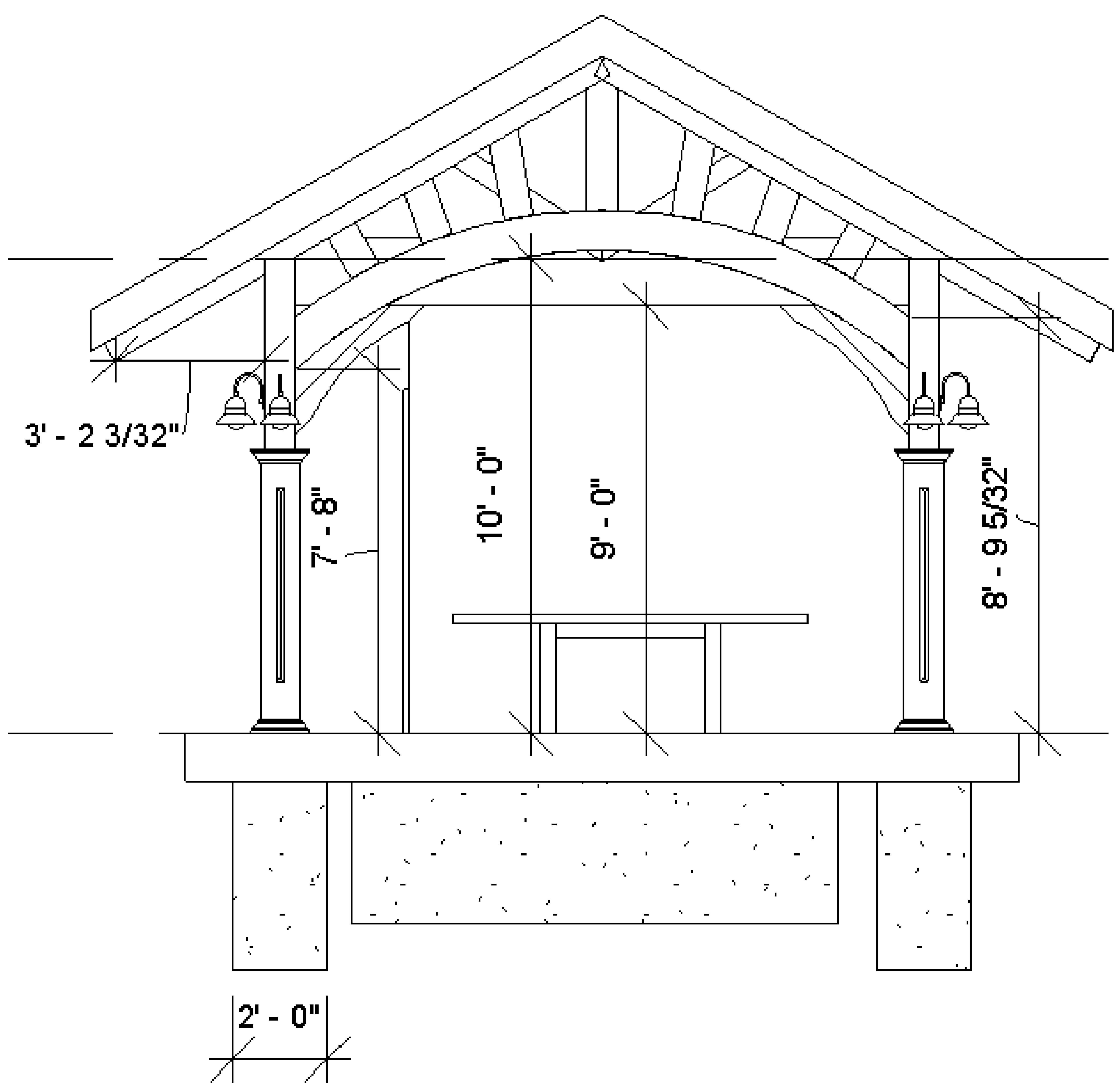


EDUCATIONAL - NOT FOR CONSTRUCTION

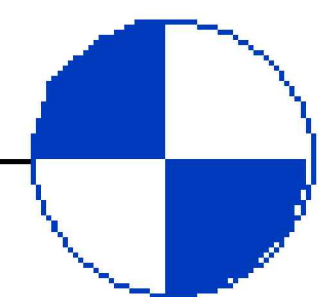
Sabula Municipal Boat Landing

515 River Street
 Sabula, IA 52070

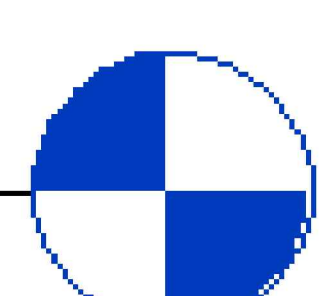
SHEET NAME	East View
SHEET NO.	3D



Level 2
10' - 0"



Level 1
0' - 0"



PROJECT:	CEE: 4850
DATE :	05/13/2022
DRAWN BY:	Larry Phan
REVISION:	

THE UNIVERSITY OF IOWA
CIVIL AND ENVIRONMENTAL ENGINEERING
 4105 SEAMANS CENTER FOR THE
 ENGINEERING ARTS AND SCIENCES
 103 S CAPITOL ST
 IOWA CITY, IOWA 52242
 PHONE: 319.335.5647
 FAX: 319.335.5660
 EMAIL: civil-hawks@iowa.edu

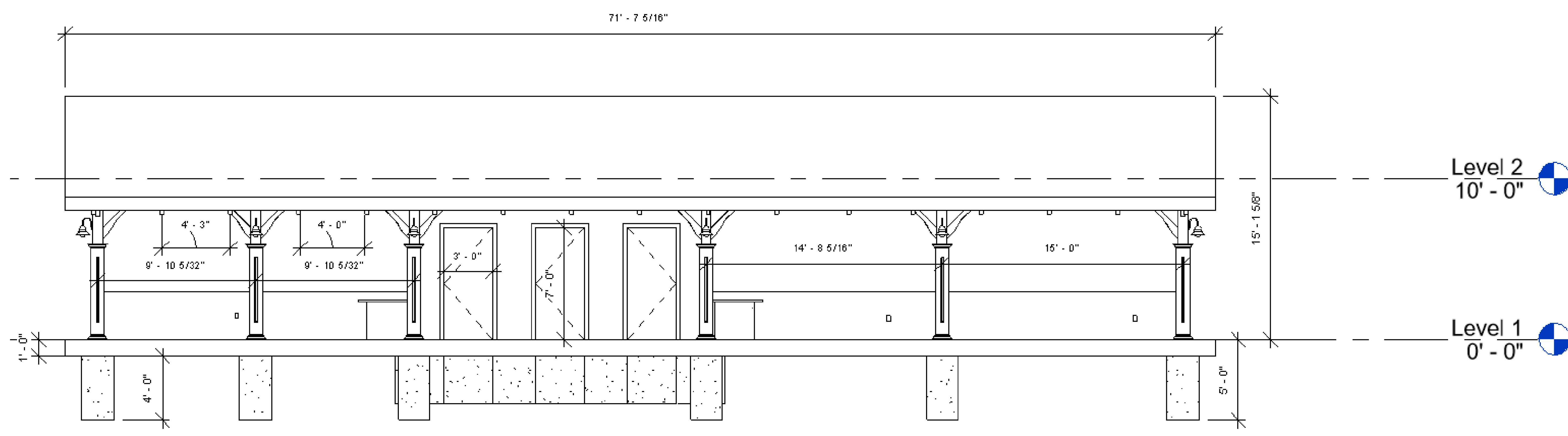


EDUCATIONAL - NOT FOR CONSTRUCTION

Sabula Municipal Boat Landing

515 River Street
 Sabula, IA 52070

SHEET NAME	South View
SHEET NO.	3E



PROJECT:	CEE: 4850
DATE :	05/13/2022
DRAWN BY:	Larry Phan
REVISION:	

THE UNIVERSITY OF IOWA
CIVIL AND ENVIRONMENTAL ENGINEERING
 4105 SEAMANS CENTER FOR THE
 ENGINEERING ARTS AND SCIENCES
 103 S CAPITOL ST
 IOWA CITY, IOWA 52242
 PHONE: 319.335.5647
 FAX: 319.335.5660
 EMAIL: civil-hawks@iowa.edu



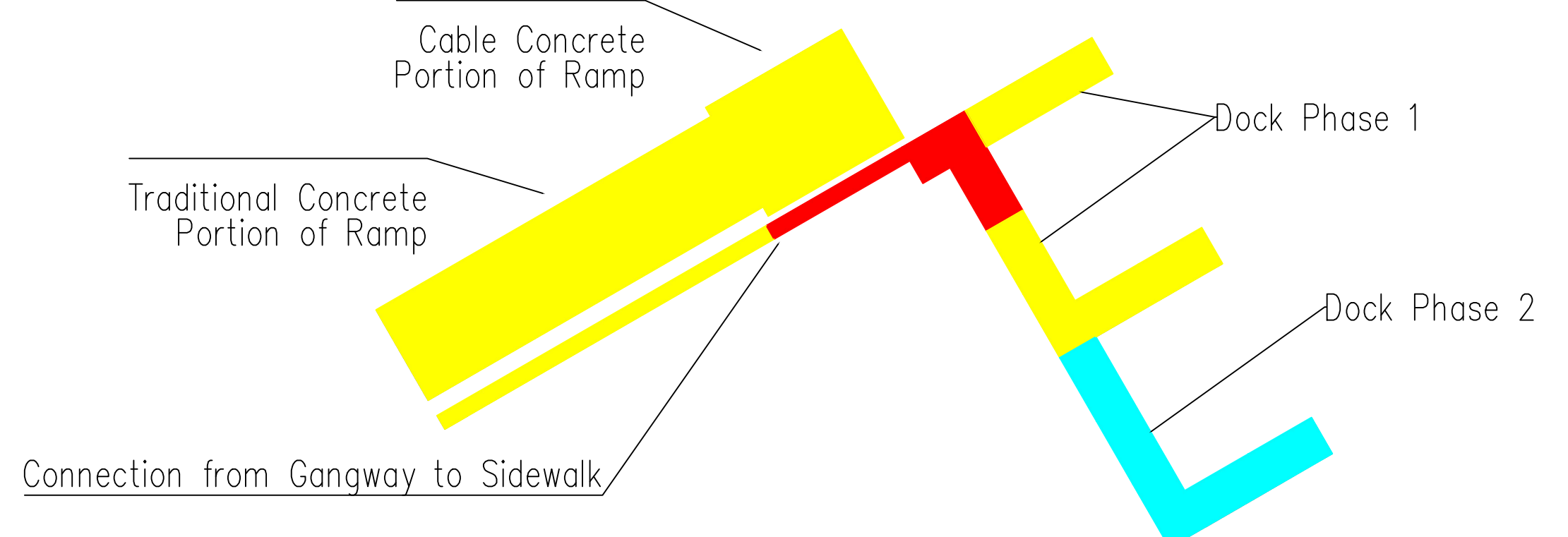
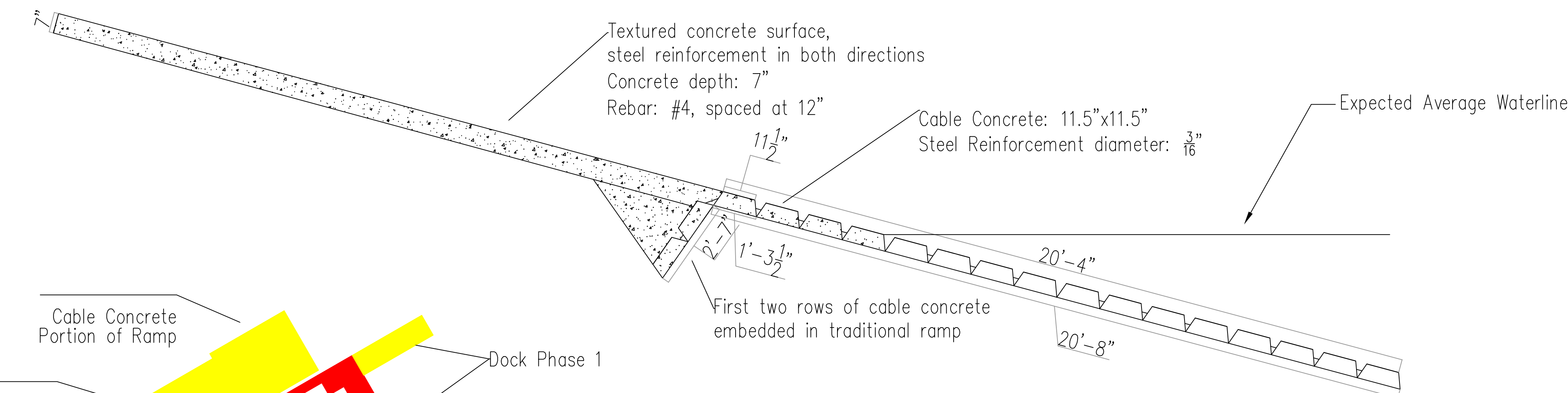
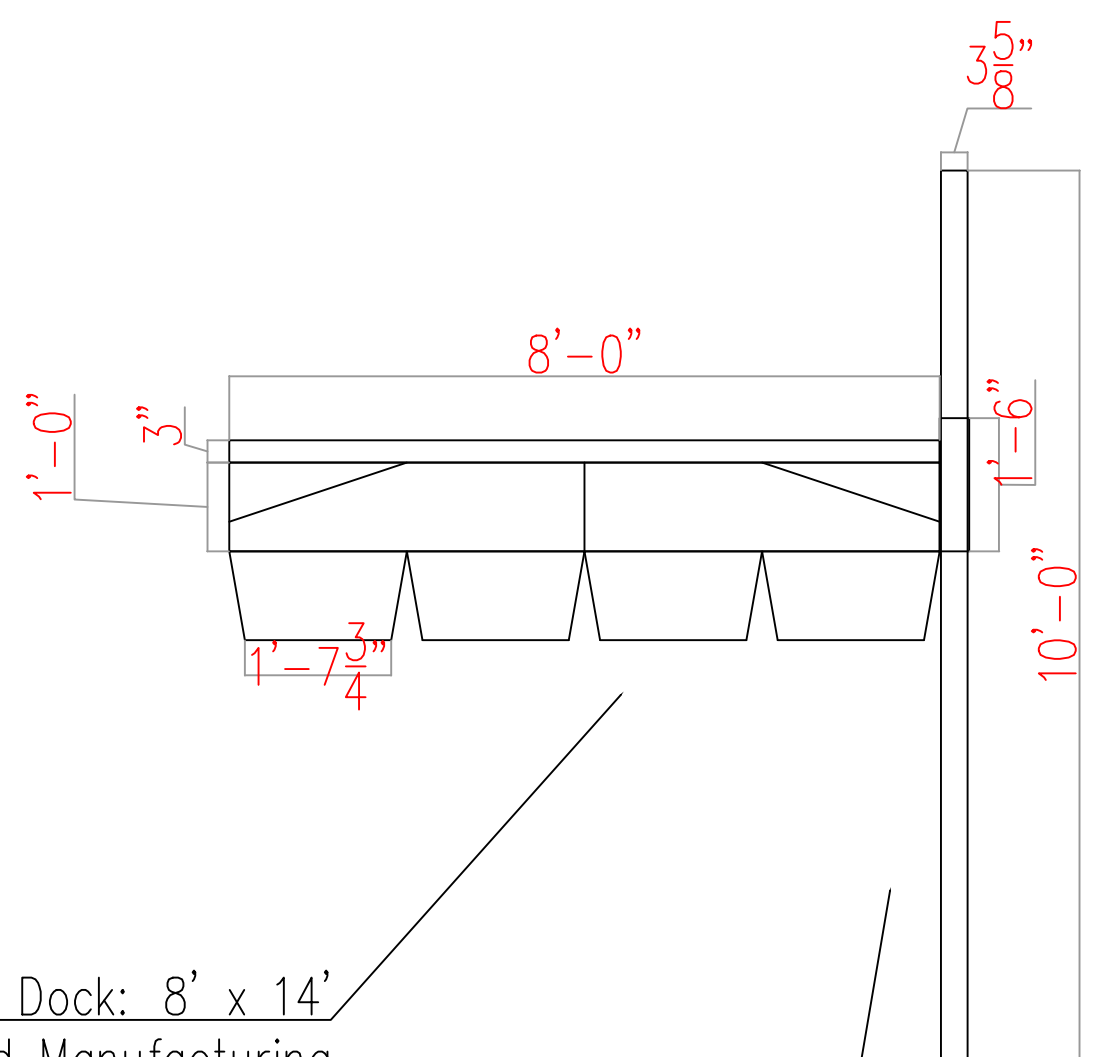
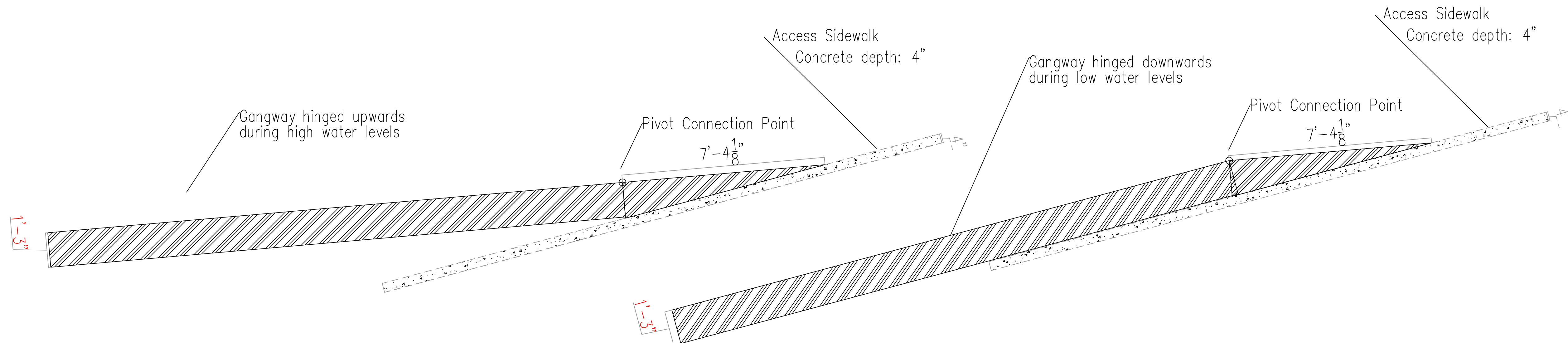
EDUCATIONAL - NOT FOR CONSTRUCTION

Sabula Municipal Boat Landing

515 River Street
 Sabula, IA 52070

SHEET NAME
 West View

SHEET NO.
3F



PROJECT:	CEE: 4850
DATE :	05/13/2022
DRAWN BY:	Isaac Mize
REVISION:	

THE UNIVERSITY OF IOWA
CIVIL AND ENVIRONMENTAL ENGINEERING
 4105 SEAMANS CENTER FOR THE
 ENGINEERING ARTS AND SCIENCES
 103 S CAPITOL ST
 IOWA CITY, IOWA 52242
 PHONE: 319.335.5647
 FAX: 319.335.5660
 EMAIL: civil-hawks@iowa.edu



EDUCATIONAL - NOT FOR CONSTRUCTION

Sabula Municipal Boat Landing

515 River Street
 Sabula, IA 52070

SHEET NAME
 Dock and Ramp
 Details

SHEET NO.
4



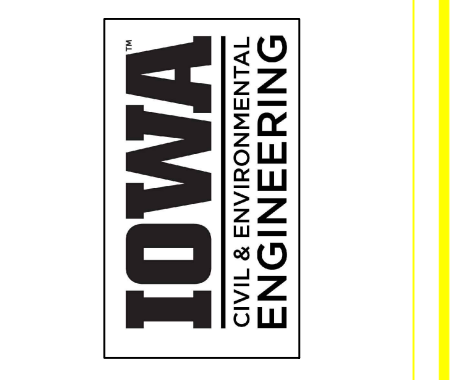
Parking Stall Dimensions:
 60 Degree Stalls
 9'-18'
 13 Stalls, 1 accessible

Accessible Stall Dimensions:
 8' Safety zone



PROJECT:	CEE: 4850
DATE :	05/13/2022
DRAWN BY:	Caleb Wright
REVISION:	

THE UNIVERSITY OF IOWA
CIVIL AND ENVIRONMENTAL ENGINEERING
 4105 SEAMANS CENTER FOR THE
 ENGINEERING ARTS AND SCIENCES
 103 S CAPITOL ST
 IOWA CITY, IOWA 52242
 PHONE: 319.335.5647
 FAX: 319.335.5660
 EMAIL: civil-hawks@iowa.edu



EDUCATIONAL - NOT FOR CONSTRUCTION

Sabula Municipal Boat Landing
 515 River Street
 Sabula, IA 52070

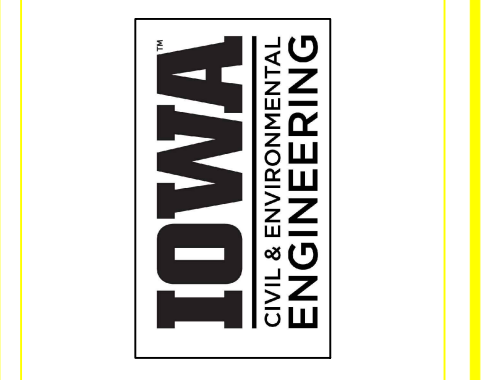
SHEET NAME
 Parking Plan

SHEET NO.
5



PROJECT:	CEE: 4850
DATE :	05/13/2022
DRAWN BY:	Caleb Wright
REVISION:	

THE UNIVERSITY OF IOWA
CIVIL AND ENVIRONMENTAL ENGINEERING
 4105 SEAMANS CENTER FOR THE
 ENGINEERING ARTS AND SCIENCES
 103 S CAPITOL ST
 IOWA CITY, IOWA 52242
 PHONE: 319.335.5647
 FAX: 319.335.5660
 EMAIL: civil-hawks@iowa.edu



EDUCATIONAL - NOT FOR CONSTRUCTION

Sabula Municipal Boat Landing
 515 River Street
 Sabula, IA 52070

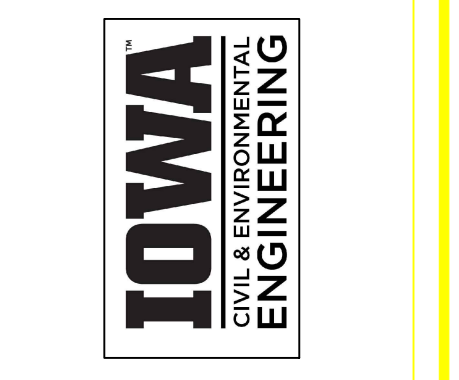
SHEET NAME
 Sidewalk Plan

SHEET NO.
6



PROJECT:	CEE: 4850
DATE :	05/13/2022
DRAWN BY:	Caleb Wright
REVISION:	

THE UNIVERSITY OF IOWA
CIVIL AND ENVIRONMENTAL ENGINEERING
 4105 SEAMANS CENTER FOR THE
 ENGINEERING ARTS AND SCIENCES
 103 S CAPITOL ST
 IOWA CITY, IOWA 52242
 PHONE: 319.335.5647
 FAX: 319.335.5660
 EMAIL: civil-hawks@iowa.edu



EDUCATIONAL - NOT
FOR CONSTRUCTION

Sabula Municipal Boat Landing
 515 River Street
 Sabula, IA 52070

SHEET NAME
 Landscaping Plan

SHEET NO.
7