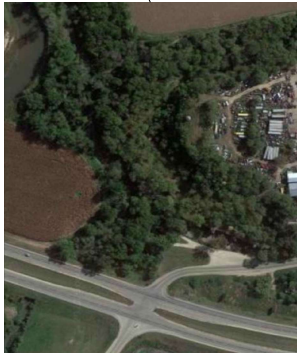


HURSTVILLE LIME KILNS STRUCTURAL REHABILITATION

7301 HURSTVILLE RD,
MAQUOKETA, IA 52060



SITE LOCATION

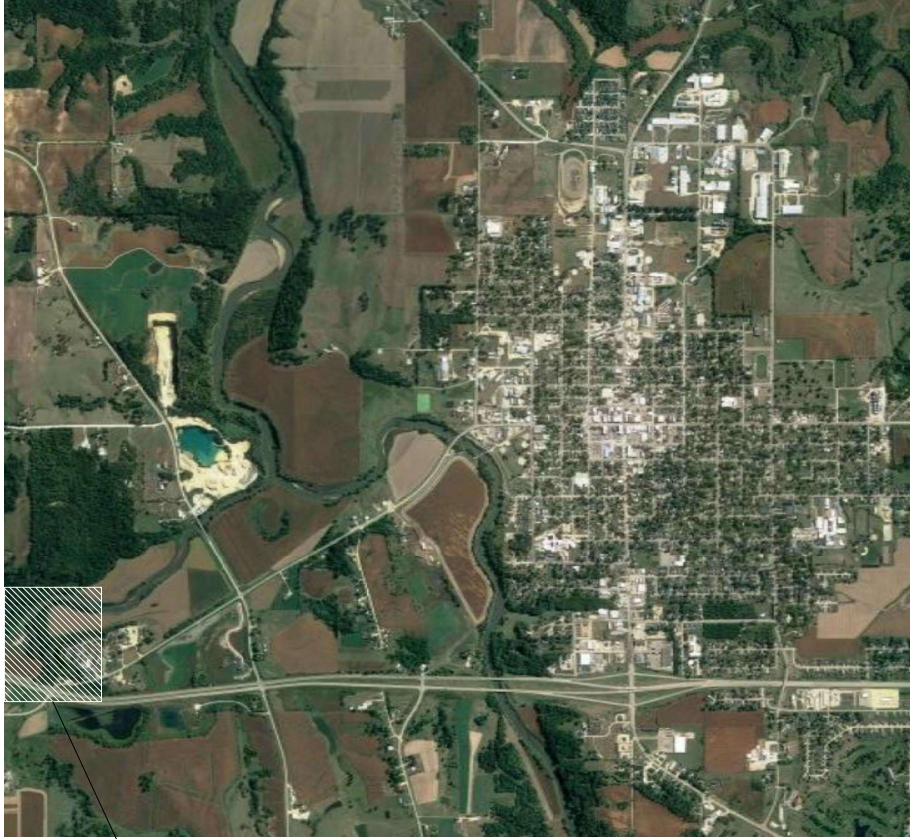


TABLE OF CONTENTS

- 0-01 – COVER SHEET
- B-01 – BRIDGE STABILIZATION
- G-01 – KILN GRATES
- G-02 – SIDE OPENING NEW DESIGN
- P-01 – KILN PLATFORM FRAMING PLAN
- P-02 – KILN PLATFORM FRAMING PLAN
- P-03 – VIEWING PLATFORM DETAIL
- P-04 – VIEWING PLATFORM
- P-05 – ANCHOR BOLT DETAILS
- R-01 – RETAINING WALL REINFORCEMENT
- R-02 – RETAINING WALL REINFORCEMENT
- R-03 – RETAINING WALL REINFORCEMENT
- R-04 – RETAINING WALL REINFORCEMENT
- RC-01 – ROCK CRUSHER STABILIZATION
- RC-02 – ROCK CRUSHER SUPPORTS

PROJECT:	CEE: 4850
DATE :	04/17/2022
DRAWN BY:	CBF
REVISION:	

THE UNIVERSITY OF IOWA
CIVIL AND ENVIRONMENTAL ENGINEERING
4105 SEAMANS CENTER FOR THE
ENGINEERING ARTS AND SCIENCES
103 S GARFIELD ST
IOWA CITY, IOWA 52242
PHONE: 319.335.5647
FAX: 319.335.5660
EMAIL: civil-howks@iowaw.edu



EDUCATIONAL - NOT
FOR CONSTRUCTION

HURSTVILLE LIME KILNS

7301 HURSTVILLE RD
MAQUOKETA, IA 52060

SHEET NAME

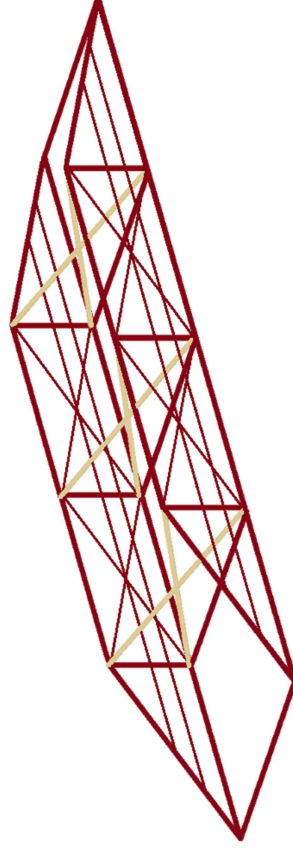
COVER SHEET

SHEET NO.


0-01



REMOVE AND REPLACE ALL OUT-OF-PLANE AND LATERAL CROSS BRACING



INSTALL 2" x 4" CROSS BRACING WHILE PERMANENT LATERAL BRACING IS REMOVED

<p>PROJECT: CEE: 44</p> <p>DATE: 04/07/20</p> <p>DRAWN BY:</p> <p>REVISIONS:</p>		<p>THE UNIVERSITY OF IOWA CIVIL AND ENVIRONMENTAL ENGINEERING 4105 SEAMANS CENTER FOR THE ENGINEERING ARTS AND SCIENCES 103 S CAPITOL ST IOWA CITY, IOWA 52242 PHONE: 319.335.5647 FAX: 319.335.5660 EMAIL: civil-hows@uiowa.edu</p>	 <p>EDUCATIONAL - NOT FOR CONSTRUCTION</p>	<p>HURSTVILLE LIME KILNS</p> <p>7301 HURSTVILLE RD MAQUOKETA, IA 52060</p>	<p>SHEET NAME BRIDGE STABILIZATION</p>	<p>SHEET NO. B-01</p>
--	--	---	--	--	--	-----------------------------------

KILN 1



BRICK IS IN GOOD CONDITION
— ONLY REPLACE GRATES

KILN 2



BRICK IS IN GOOD CONDITION — REPLACE
GRATES AND REMOVE PROTRUDING STEEL

KILN 3



BRICK IS IN GOOD CONDITION — REPLACE
GRATES AND REMOVE PROTRUDING STEEL

KILN 4



BRICK IS IN POOR CONDITION — REPLACE GRATES,
BRICKS AND REMOVE PROTRUDING STEEL

PROJECT:	CEC: 4850
DATE:	04/07/2022
DRAWN BY:	CBF
REVISION:	

THE UNIVERSITY OF IOWA
 CIVIL AND ENVIRONMENTAL ENGINEERING
 4105 SEAMANS CENTER FOR THE
 ENGINEERING ARTS AND SCIENCES
 103 S CAPITOL ST
 IOWA CITY, IOWA 52242
 PHONE: 319.335.5647
 FAX: 319.335.5666



EDUCATIONAL - NOT
 FOR CONSTRUCTION

HURSTVILLE LIME KILNS

7301 HURSTVILLE RD
 MAQUOKETA, IA 52060

SHEET NAME
 KILN GRATES

SHEET NO.
G-01

G-02

SHEET NO.

SIDE OPENING
NEW DESIGN

SHEET NAME

7301 HURSTVILLE RD
MAQUOKETA, IA 52060

HURSTVILLE LIME KILNS

EDUCATIONAL - NOT
FOR CONSTRUCTION



CIVIL AND ENVIRONMENTAL ENGINEERING

THE UNIVERSITY OF IOWA

4105 SEAMANS CENTER FOR THE
ENGINEERING ARTS AND SCIENCES

103 S GARFIELD ST
IOWA CITY, IOWA 52242

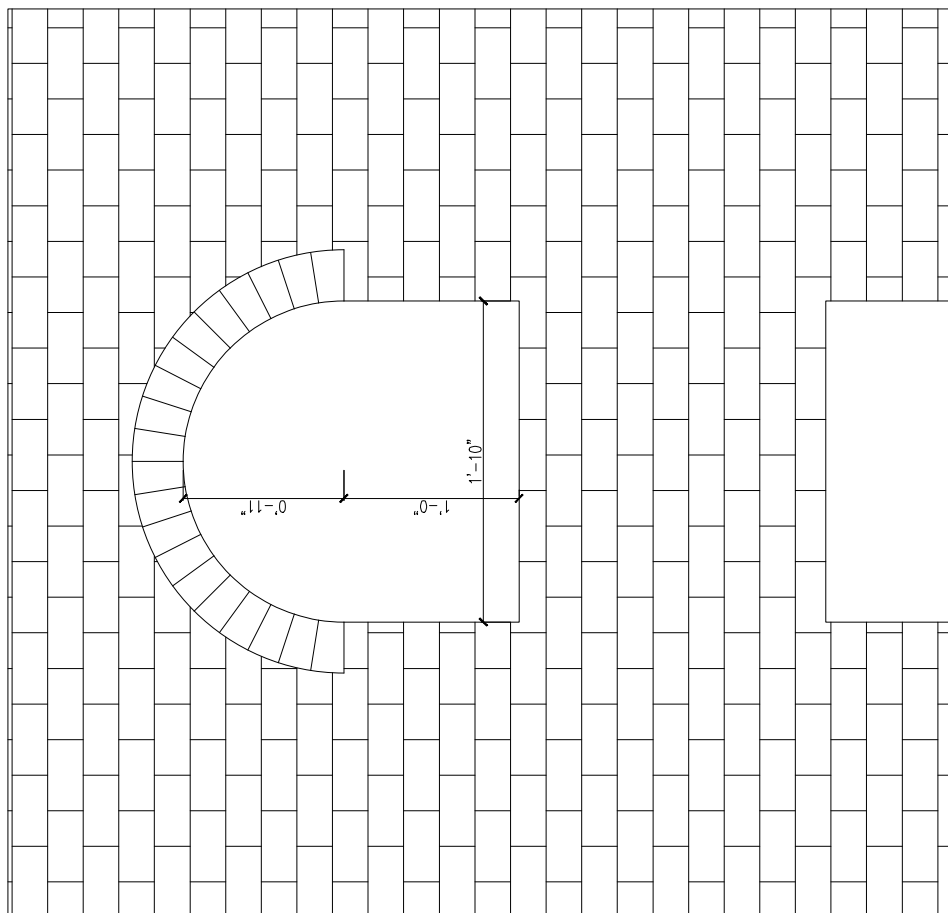
PHONE: 319.335.5647
FAX: 319.335.5660
EMAIL: civil-howks@iowae.edu

PROJECT: CEE: 4850

DATE: 04/17/2022

DRAWN BY: CBF

REVISION:



PROJECT: CEE-14850
 DATE: 04/07/2022
 DRAWN BY: SRO
 REVISION:

THE UNIVERSITY OF IOWA
 CIVIL AND ENVIRONMENTAL ENGINEERING
 4105 SEAWALK CENTER FOR THE
 ENGINEERING ARTS AND SCIENCES
 103 S CAPITOL ST
 IOWA CITY, IOWA 52242
 PHONE: 319.335.5847
 FAX: 319.335.5860
 EMAIL: cve-hhwk@uiowa.edu

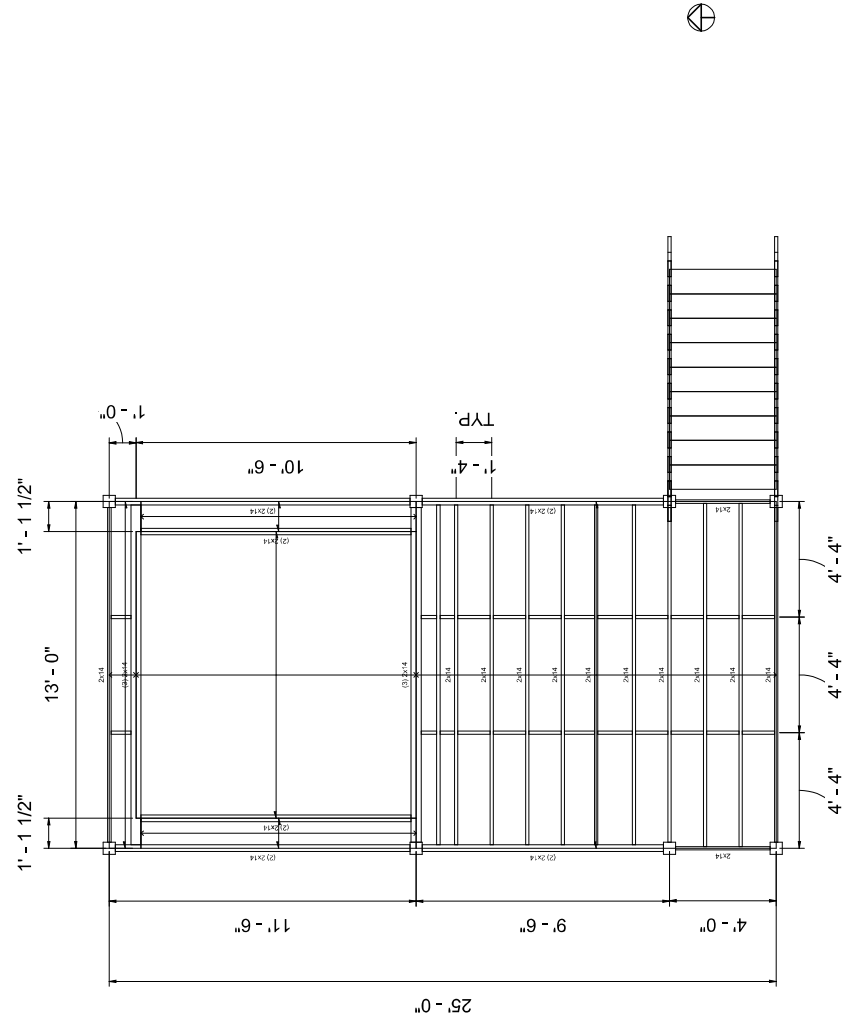


ENVIRONMENTAL - NOT
 TO BE REPRODUCED

HURSTVILLE LIME KILNS
 7301 HURSTVILLE ROAD
 MAQUOKETA, IA 52060

SHEET NAME:
 KILN PLATFORM
 FRAMING PLAN
 SHEET NO.:

P-01



NOTE: SEE DETAILS FOR STAIR DIMENSIONS

PROJECT: CEE-4850
 DATE: 04/07/2022
 DRAWN BY:
 SRO
 REVISION:
 EMAIL: cvr@hawk@uiowa.edu
 PHONE: 319.335.5547
 FAX: 319.335.5560

THE UNIVERSITY OF IOWA
 CIVIL AND ENVIRONMENTAL ENGINEERING
 4105 SEAWALKS CENTER FOR THE
 ENGINEERING ARTS AND SCIENCES
 103 S CAPITOL ST
 IOWA CITY, IOWA 52242

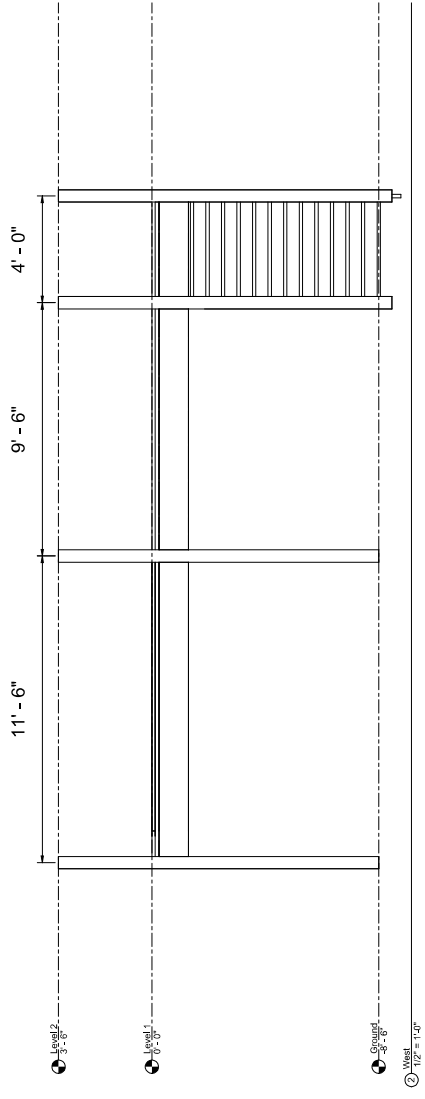
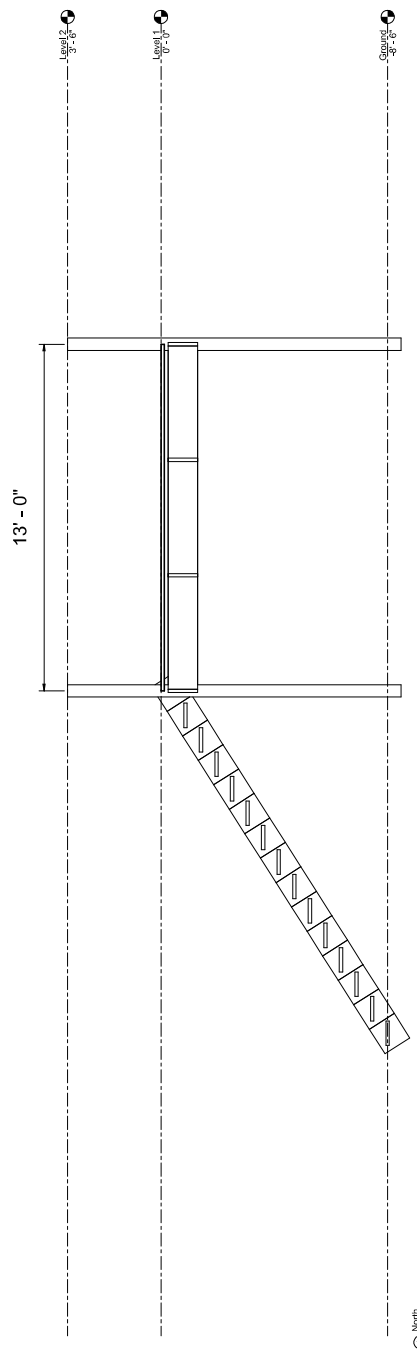


ENVIRONMENTAL-NOI
 CONSULTATION

7301 HURSTVILLE ROAD
 MAQUOKETA, IA 52060

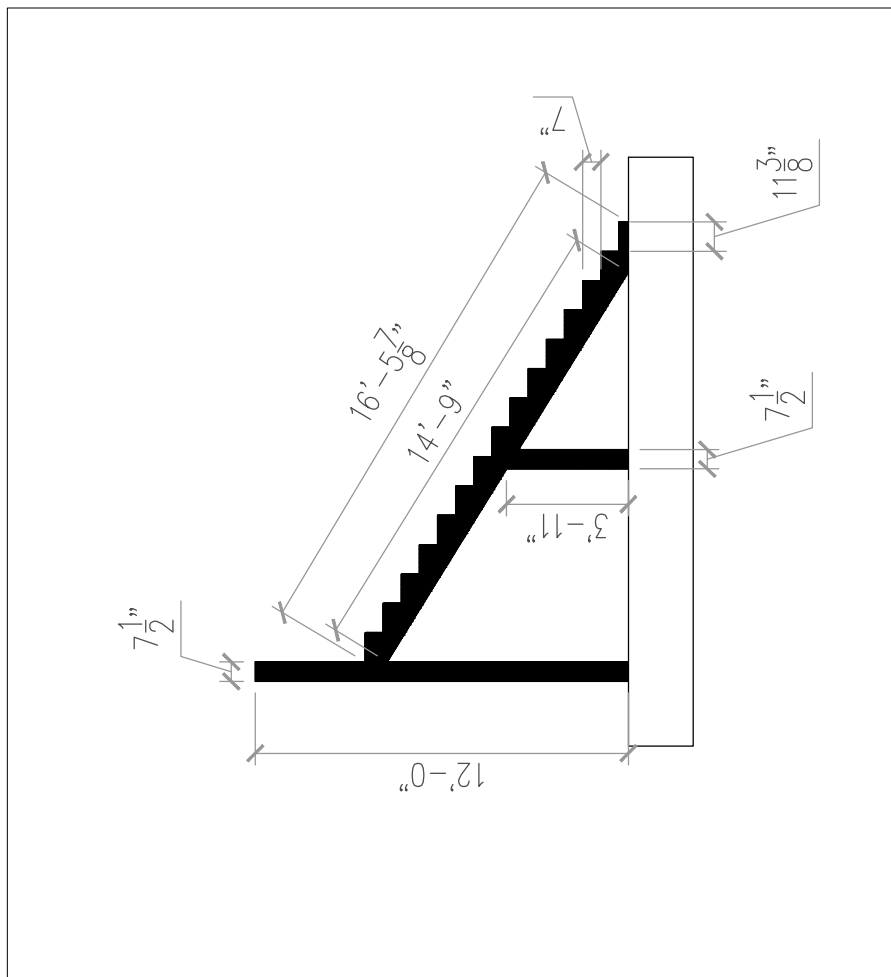
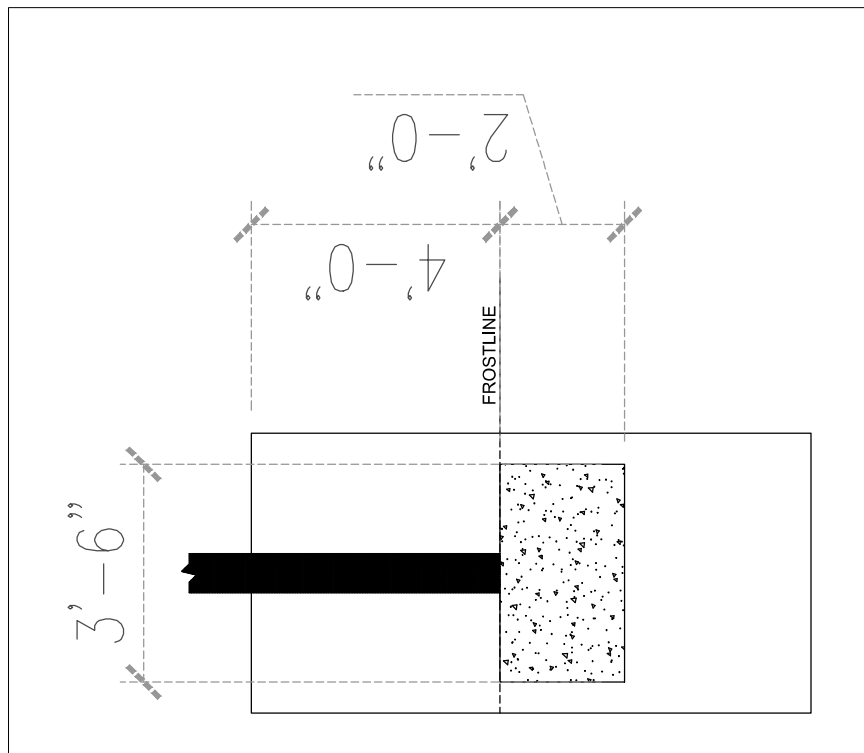
HURSTVILLE LIME KILNS

SHEET NAME
 KILN PLATFORM
 FRAMING PLAN
 SHEET NO.
P-02



North
 1/2" = 1'-0"

Ground
 3/8" = 3'-0"
 Level 1
 3/8" = 3'-0"
 Level 2
 3/8" = 3'-0"
 West
 1/2" = 1'-0"



PROJECT: CEE:4850
 DATE: 05/06/2022
 DRAWN BY: SRO
 REVISION:

THE UNIVERSITY OF IOWA
 CIVIL AND ENVIRONMENTAL ENGINEERING
 4105 SEAMANS CENTER FOR THE
 ENGINEERING ARTS AND SCIENCES
 103 S CAPITOL ST
 IOWA CITY, IOWA 52242
 PHONE: 319.335.6647
 FAX: 319.335.6660
 EMAIL: civil-hawks@iow.edu

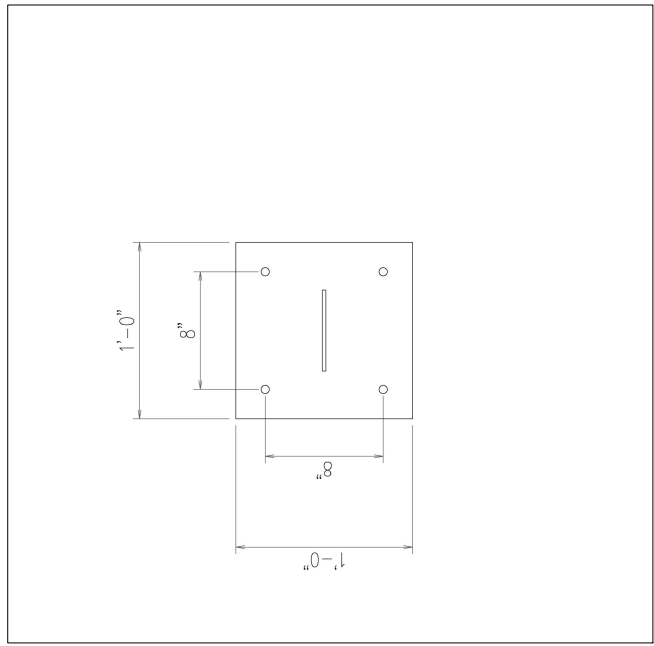
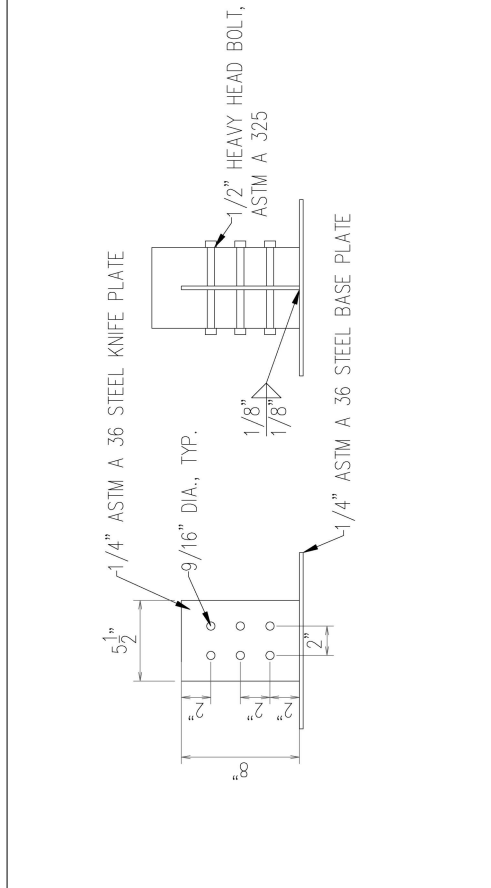
EDUCATIONAL - NOT FOR CONSTRUCTION

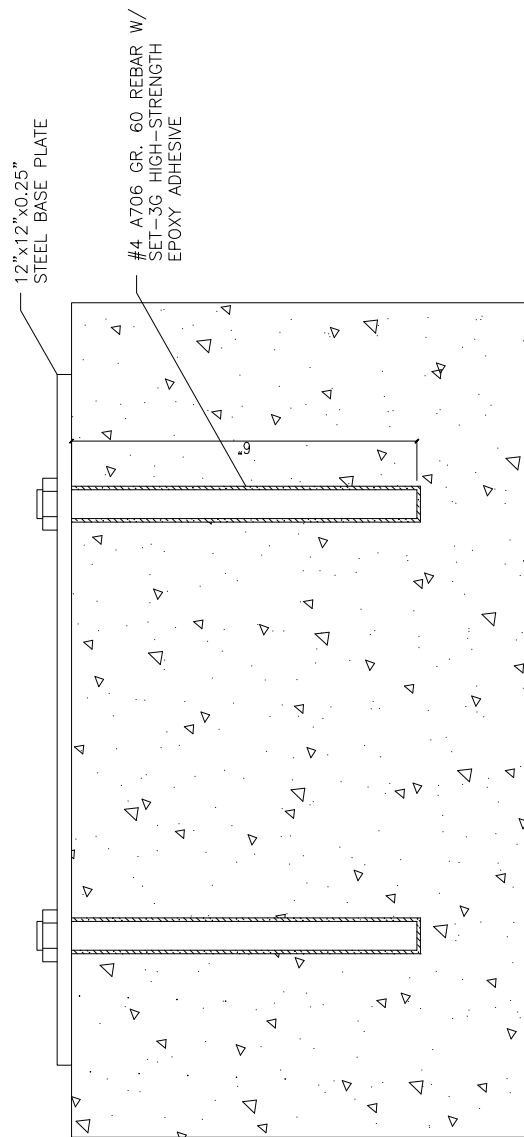
Hurstville Lime Kilns
 7301 Hurstville Road, Maquoketa, IA 52060

SHEET NAME
 Viewing Platform

SHEET NO.

P-04





R-01

SHEET NO.

RETAINING WALL
REINFORCEMENT

SHEET NAME

7301 HURSTVILLE RD
MAQUOKETA, IA 52060

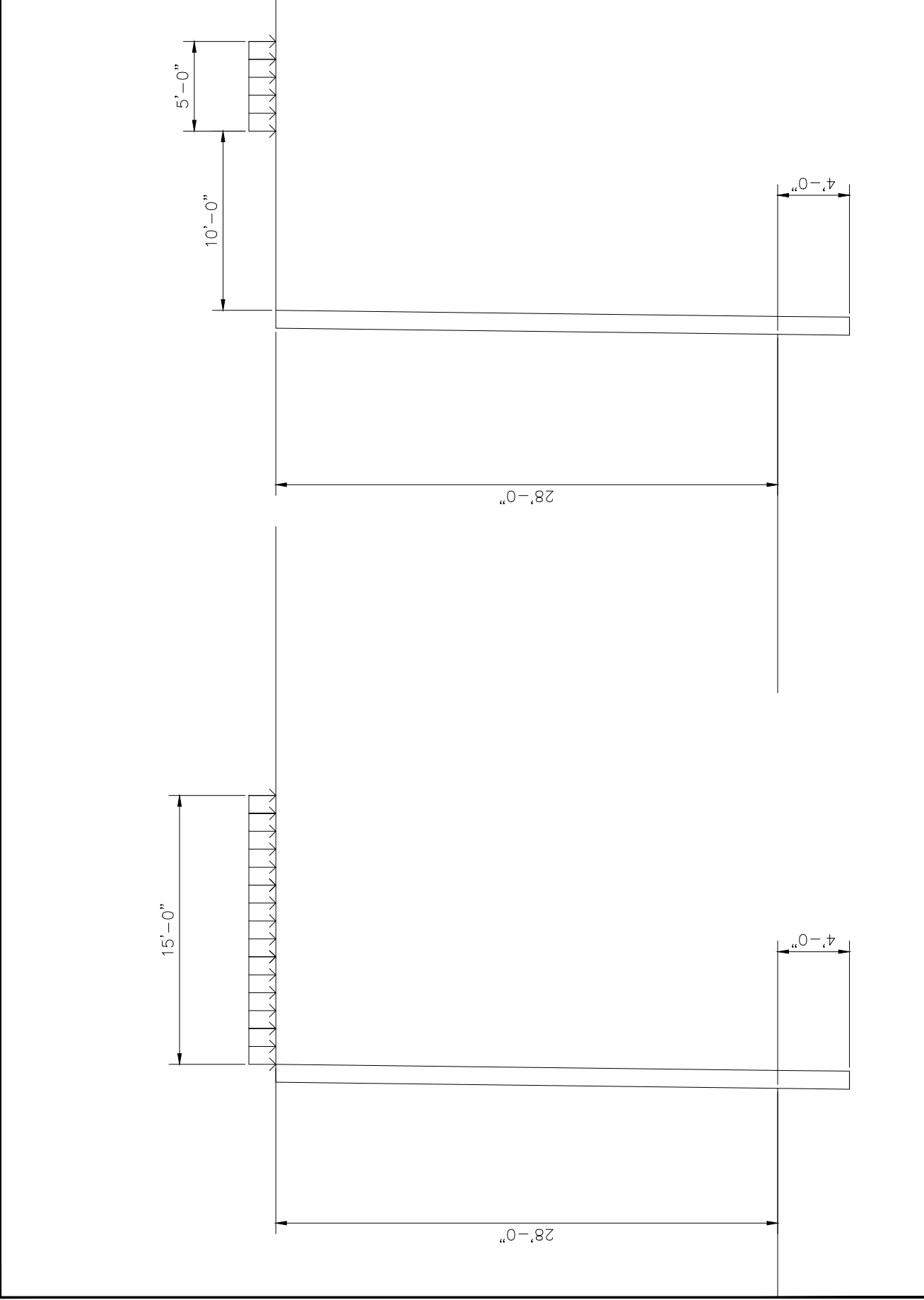
HURSTVILLE LIME KILNS

EDUCATIONAL - NOT
FOR CONSTRUCTION



THE UNIVERSITY OF IOWA
CIVIL AND ENVIRONMENTAL ENGINEERING
4105 SEAMANS CENTER FOR THE
ENGINEERING ARTS AND SCIENCES
100 S CAPITOL ST
IOWA CITY, IOWA 52242
PHONE: 319.335.5647
FAX: 319.335.5660
EMAIL: civil-hwk@iowasupercenter.edu

PROJECT: CEE: 4850-1
DATE: 04/03/2022
DRAWN BY: CTS
REVISION:



PROJECT: CEE 4850-1
 DATE: 04/03/2022
 DRAWN BY: CTS
 REVISION:

THE UNIVERSITY OF IOWA
 CIVIL AND ENVIRONMENTAL ENGINEERING
 4105 SEAMANS CENTER FOR THE
 ENGINEERING ARTS AND SCIENCES
 103 S CAPITOL ST
 IOWA CITY, IOWA 52242
 PHONE: 319.335.5647
 FAX: 319.335.5660
 EMAIL: civil-hawks@uiowa.edu



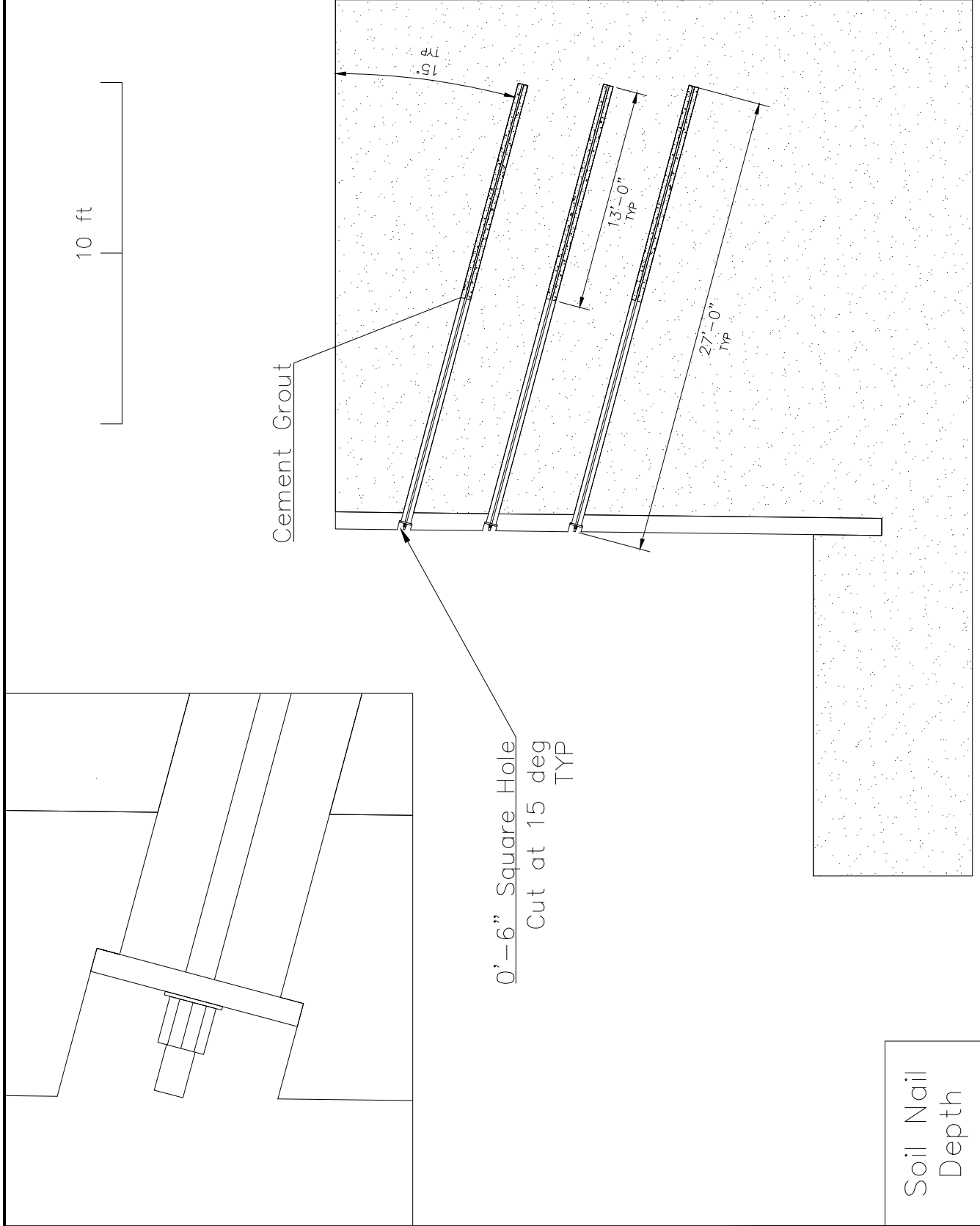
EDUCATIONAL - NOT FOR CONSTRUCTION

HURSTVILLE LIME KILNS

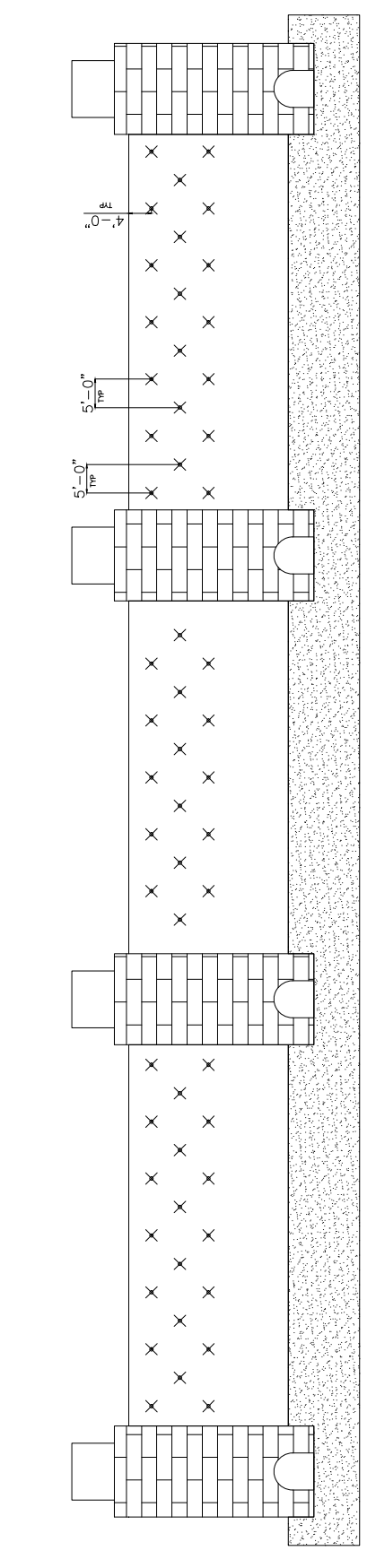
7301 HURSTVILLE RD
 MAQUOKETA, IA 52060

SHEET NAME
 RETAINING WALL
 REINFORCEMENT

SHEET NO.
R-02



Elevation



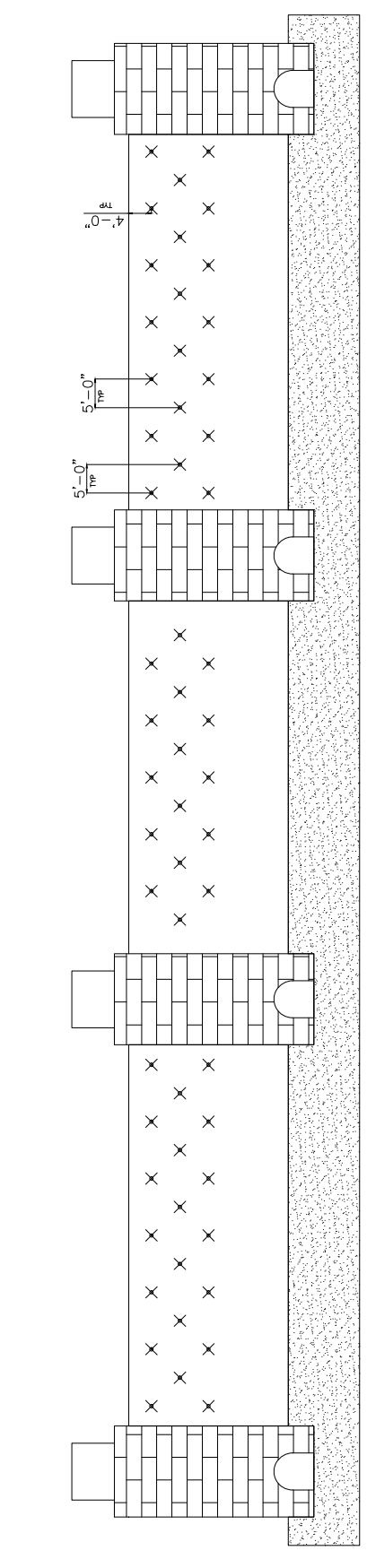
THE UNIVERSITY OF IOWA
 CIVIL AND ENVIRONMENTAL ENGINEERING
 4105 SEAMANS CENTER FOR THE
 ENGINEERING ARTS AND SCIENCES
 103 S CAPITOL ST
 IOWA CITY, IOWA 52242
 PHONE: 319.235.5647
 FAX: 319.235.5660
 EMAIL: civil-hawks@iowa.edu

PROJECT: CEE 4850-1
 DATE: 04/03/2022
 DRAWN BY: CTS
 REVISION:

HURSTVILLE LIME KILNS
 7301 HURSTVILLE RD
 MAQUOKETA, IA 52060

SHEET NAME
 RETAINING WALL
 REINFORCEMENT
 SHEET NO.
R-03

Sequencing



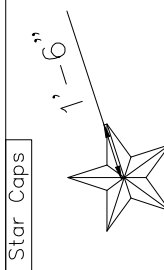
EDUCATIONAL - NOT
 FOR CONSTRUCTION

PROJECT: CEE 4850-1
 DATE: 04/03/2022
 DRAWN BY: CTS
 REVISION:

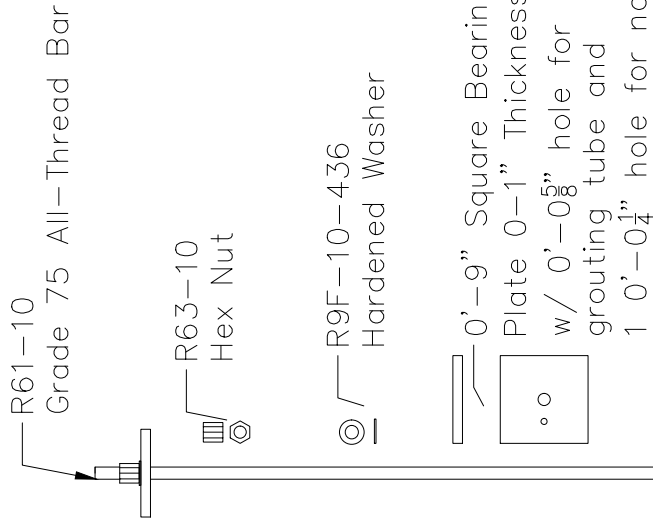
HURSTVILLE LIME KILNS
 7301 HURSTVILLE RD
 MAQUOKETA, IA 52060

SHEET NAME
 RETAINING WALL
 REINFORCEMENT
 SHEET NO.
R-03

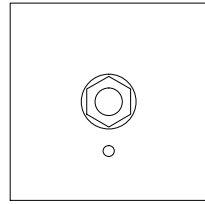
Description	Type	Cost	Comments
11	Reinforcing Steel	5K	
12	Decorative Caps	5K	
13	Star Caps	5K	
14	Star Caps	5K	
15	Star Caps	5K	



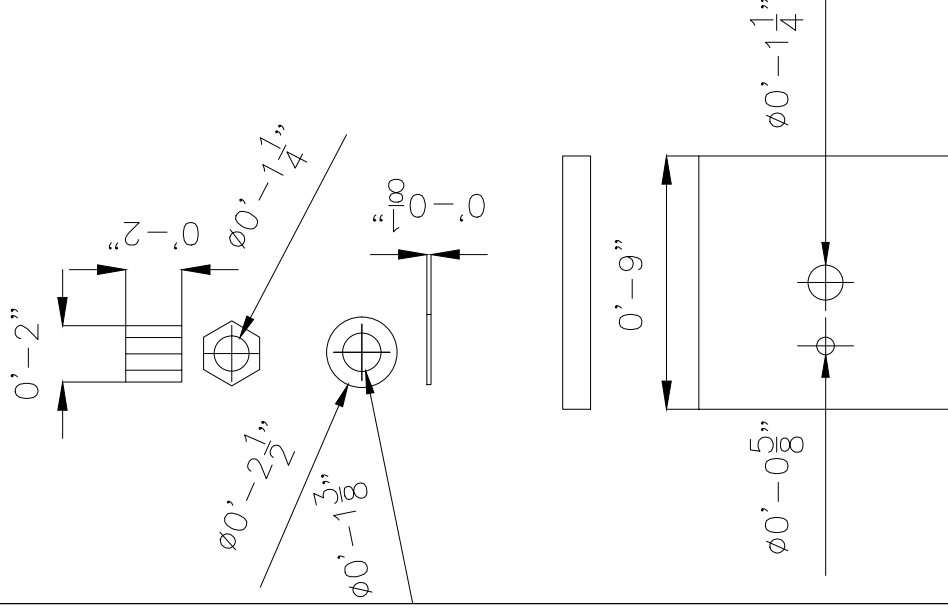
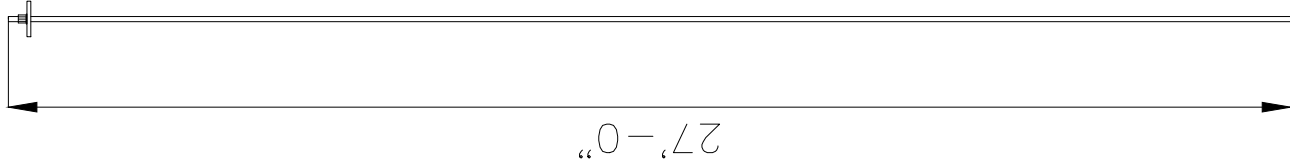
Soil Nail Components



Assembly



Soil Nail Length



HURSTVILLE LIME KILNS

7301 HURSTVILLE RD
MAQUOKETA, IA 52060



EDUCATIONAL - NOT FOR CONSTRUCTION

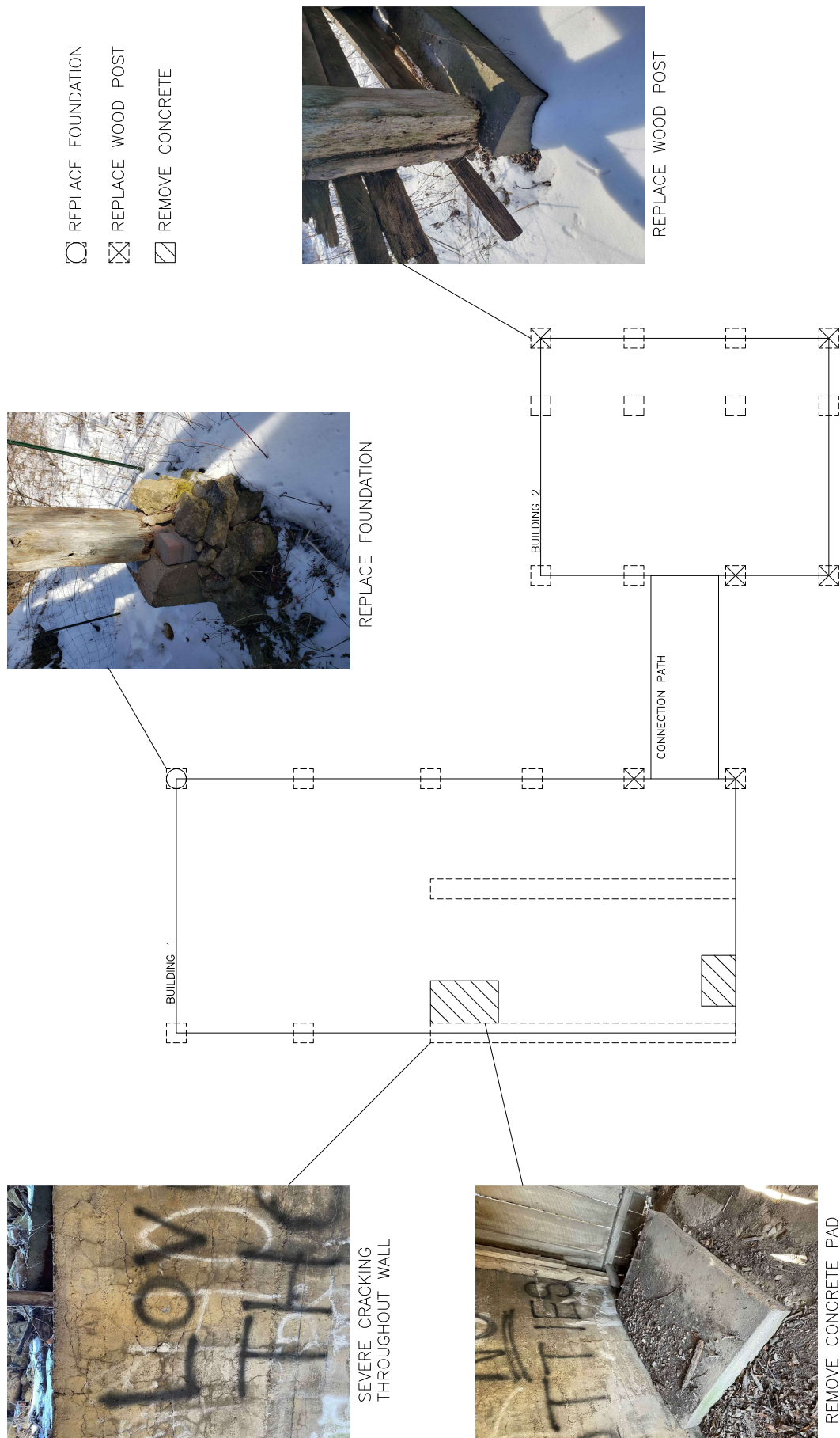
THE UNIVERSITY OF IOWA
 CIVIL AND ENVIRONMENTAL ENGINEERING
 4105 SEAMANS CENTER FOR THE
 ENGINEERING ARTS AND SCIENCES
 103 S CAPITOL ST
 IOWA CITY, IOWA 52242
 PHONE: 319.335.5647
 FAX: 319.335.5660
 EMAIL: civil-honkas@iowad.edu

SHEET NAME
 RETAINING WALL
 REINFORCEMENT

SHEET NO.

R-04

PROJECT: CEE 4850-1
 DATE: 04/03/2022
 DRAWN BY: CTS
 REVISION:



- REPLACE FOUNDATION
- REPLACE WOOD POST
- REMOVE CONCRETE



REPLACE FOUNDATION



REPLACE WOOD POST

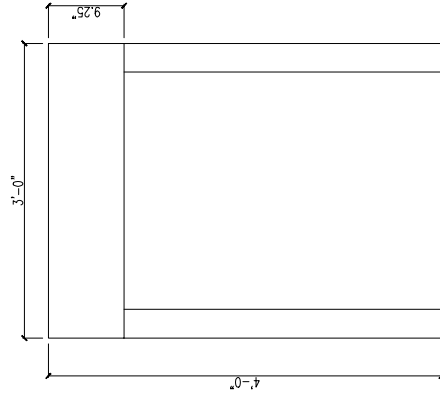


SEVERE CRACKING THROUGHOUT WALL

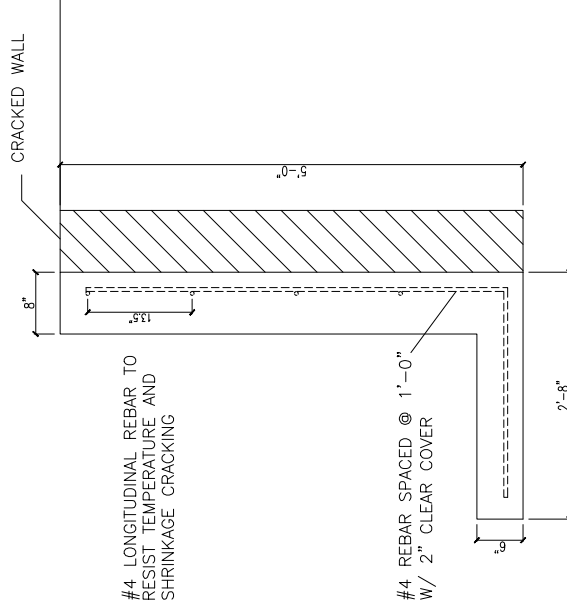


REMOVE CONCRETE PAD

TEMPORARY SUPPORTS
FOR COLUMNS



PERMANENT SUPPORT
FOR CRACKED WALL



PROJECT:	CEE: 4164-2
DATE:	04/07/2022
DRAWN BY:	CBF
REVISION:	

THE UNIVERSITY OF IOWA
CIVIL AND ENVIRONMENTAL ENGINEERING
4105 SEAMANS CENTER FOR THE
ENGINEERING ARTS AND SCIENCES
103 S GARFIELD ST
IOWA CITY, IOWA 52242
PHONE: 319.335.5647
FAX: 319.335.5660
EMAIL: civil-howks@iowa.edu



EDUCATIONAL - NOT FOR CONSTRUCTION

HURSTVILLE LIME KILNS

7301 HURSTVILLE RD
MAQUOKETA, IA 52060

SHEET NAME
ROCK CRUSHER
SUPPORTS

SHEET NO.

RC-02