

KEOSAUQUA BUILDING REHABILITATION

PROJECT LOCATION MAP



705 1ST STREET
KEOSAUQUA, IOWA

INDEX OF DRAWINGS

SITE PLANS

CO.1 SITE DEMOLITION PLAN

C1.0 SITE PLAN

C2.0 SITE PLAN DETAILS

STRUCTURAL PLANS

S1.0 STRUCTURAL FRAMING

S2.0 STRUCTURAL ELEMENTS DESIGN

S3.0 STRUCTURAL DETAILS

ARCHITECTURAL PLANS

AD1.0 FIRST FLOOR DEMOLITION PLAN

AD2.0 SECOND FLOOR DEMOLITION PLAN

A1.0 BASEMENT FLOOR PLAN

A2.0 GROUND FLOOR PLAN

A3.0 SECOND STORY FLOOR PLAN

A4.0 NORTH SOUTH BUILDING SECTION

A5.0 EAST WEST BUILDING SECTION

A6.0 NORTH ELEVATION VIEW

A7.0 EAST ELEVATION VIEW

A8.0 ARCHITECTURAL DETAILS

KEOSAUQUA BUILDING

705 1ST STREET
KEOSAUQUA, IA 52565

EDUCATIONAL - NOT
FOR CONSTRUCTION



THE UNIVERSITY OF IOWA CIVIL AND ENVIRONMENTAL ENGINEERING

4105 SEAMANS CENTER FOR THE
ENGINEERING ARTS AND SCIENCES
103 S CAPITOL ST
IOWA CITY, IOWA 52242
PHONE: 319.335.5647
FAX: 319.335.5660
EMAIL: civil-hawks@uiowa.edu

PROJECT: CEE: 4850

DATE : 05/07/2023

DRAWN BY: STB

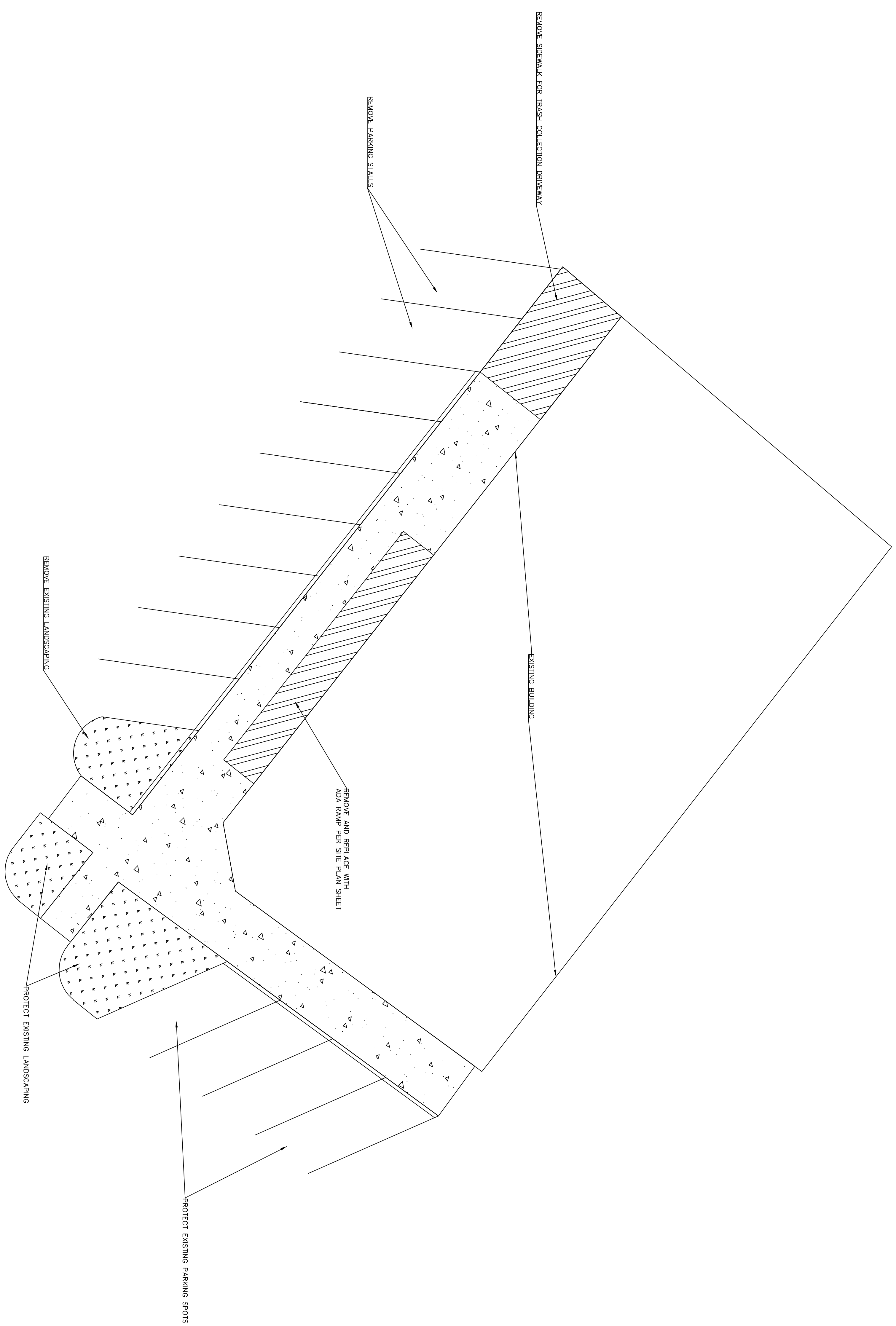
REVISION:

SHEET NAME

COVER SHEET

SHEET NO.

T0.1



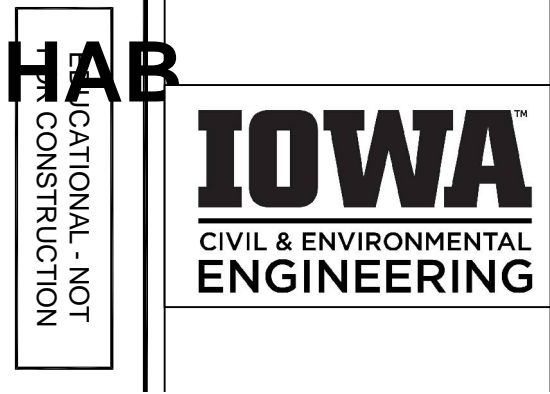
C1.0

SHEET NO.

SHEET NAME
DEMOLITION PLA

KEOSAUQA BUILDING REHAB

705 1ST STREET
KEOSAUQA, IA 52565

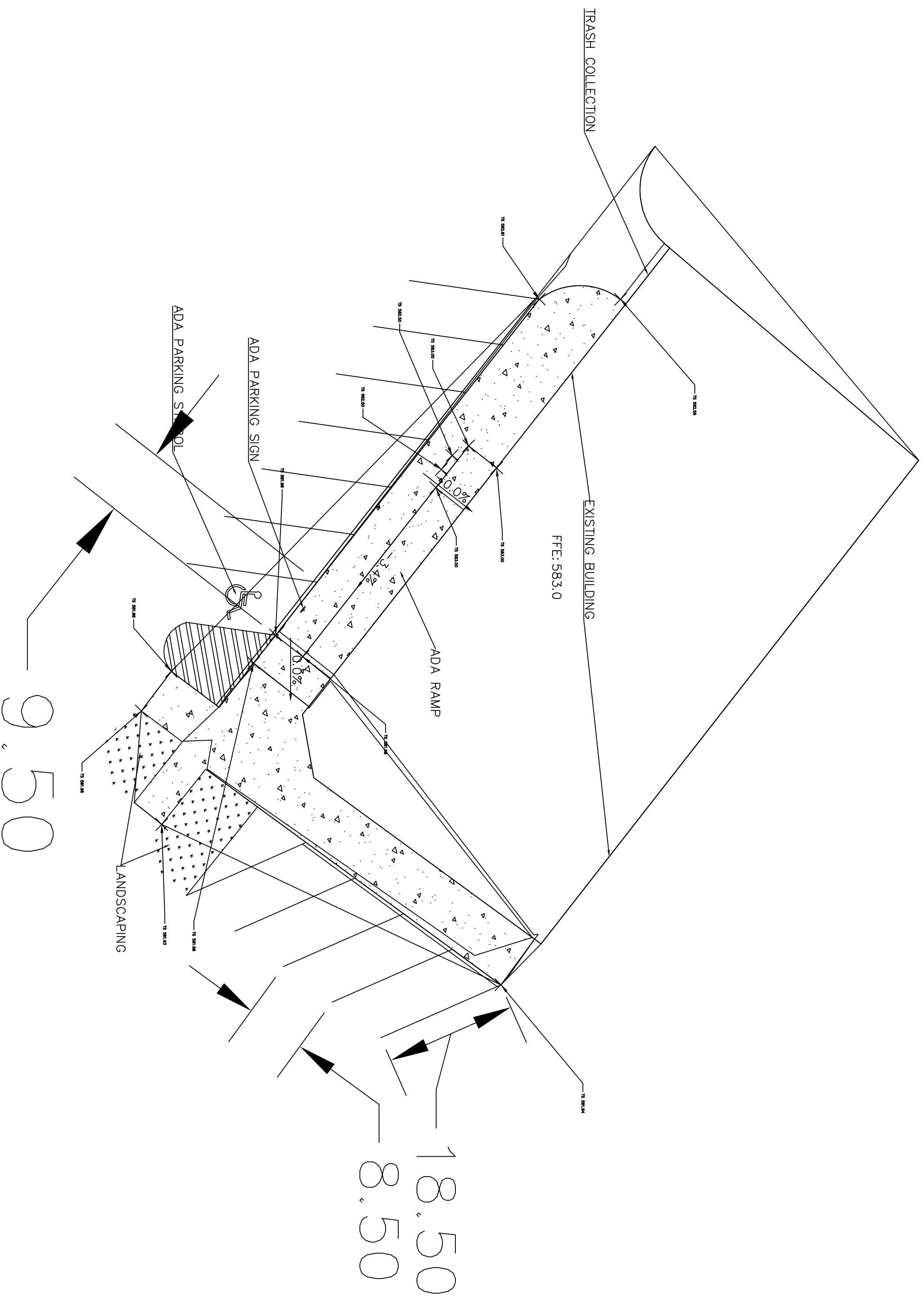


THE UNIVERSITY OF IOWA
CIVIL AND ENVIRONMENTAL ENGINEERING

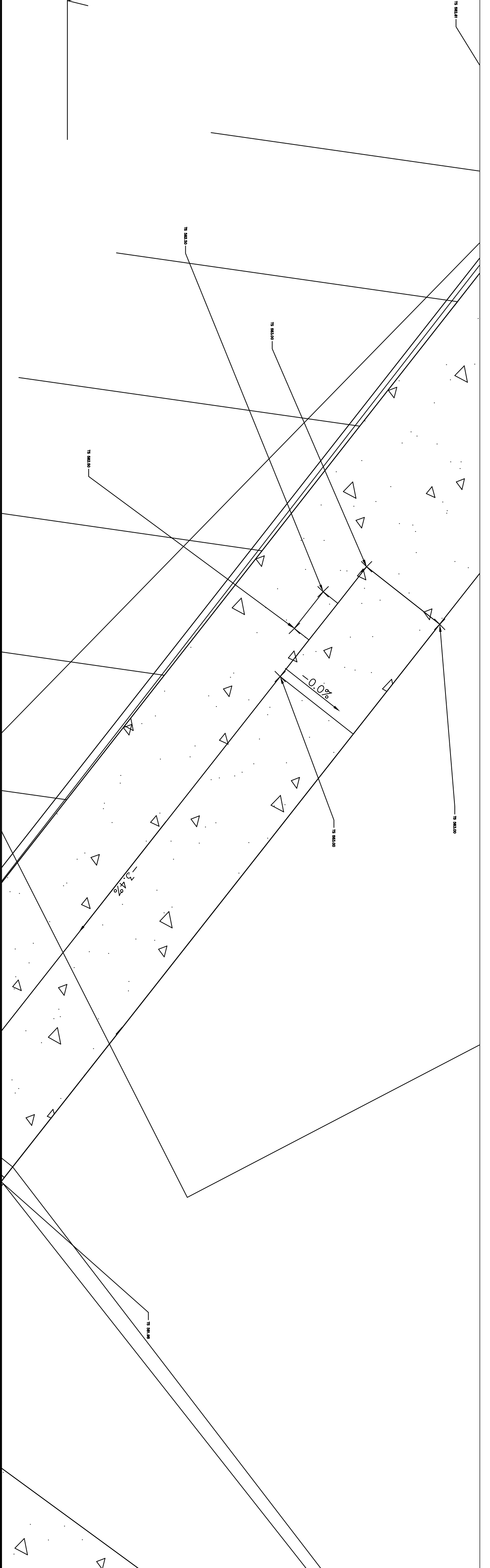
4105 SEAMANS CENTER FOR THE
ENGINEERING ARTS AND SCIENCES
103 S CAPITOL ST
IOWA CITY, IOWA 52242
PHONE: 319.335.5647
FAX: 319.335.5660
EMAIL: civil-hawks@uiowa.edu

PROJECT:	CEE: 4850
DATE :	05/07/2023
DRAWN BY:	STB
REVISION:	

1 SITE PLAN



2 GRADING VIEW



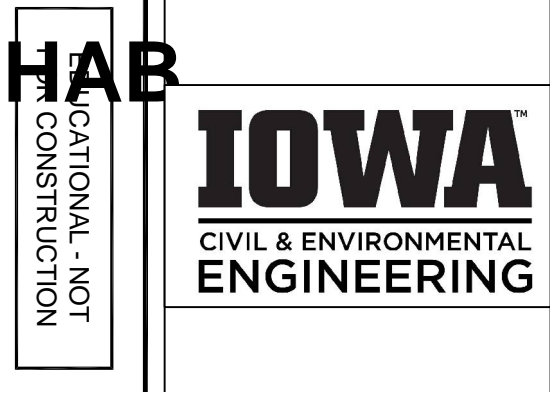
C2.0

SHEET NO.

SHEET NAME
SITE PLAN

KEOSAUQA BUILDING REHAB

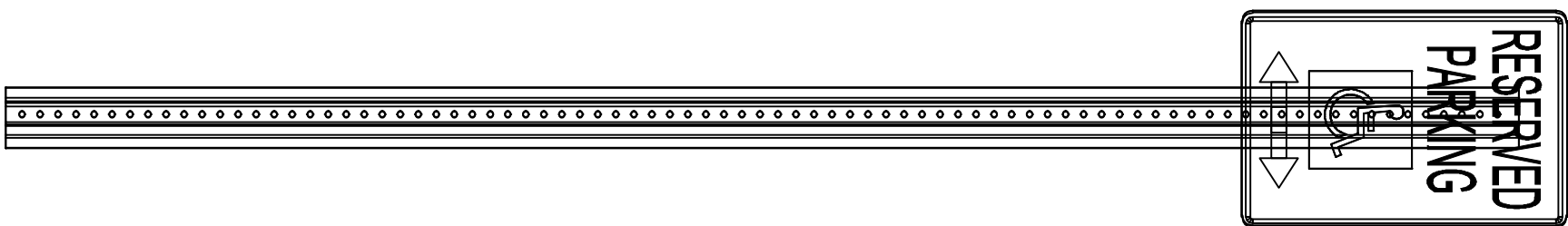
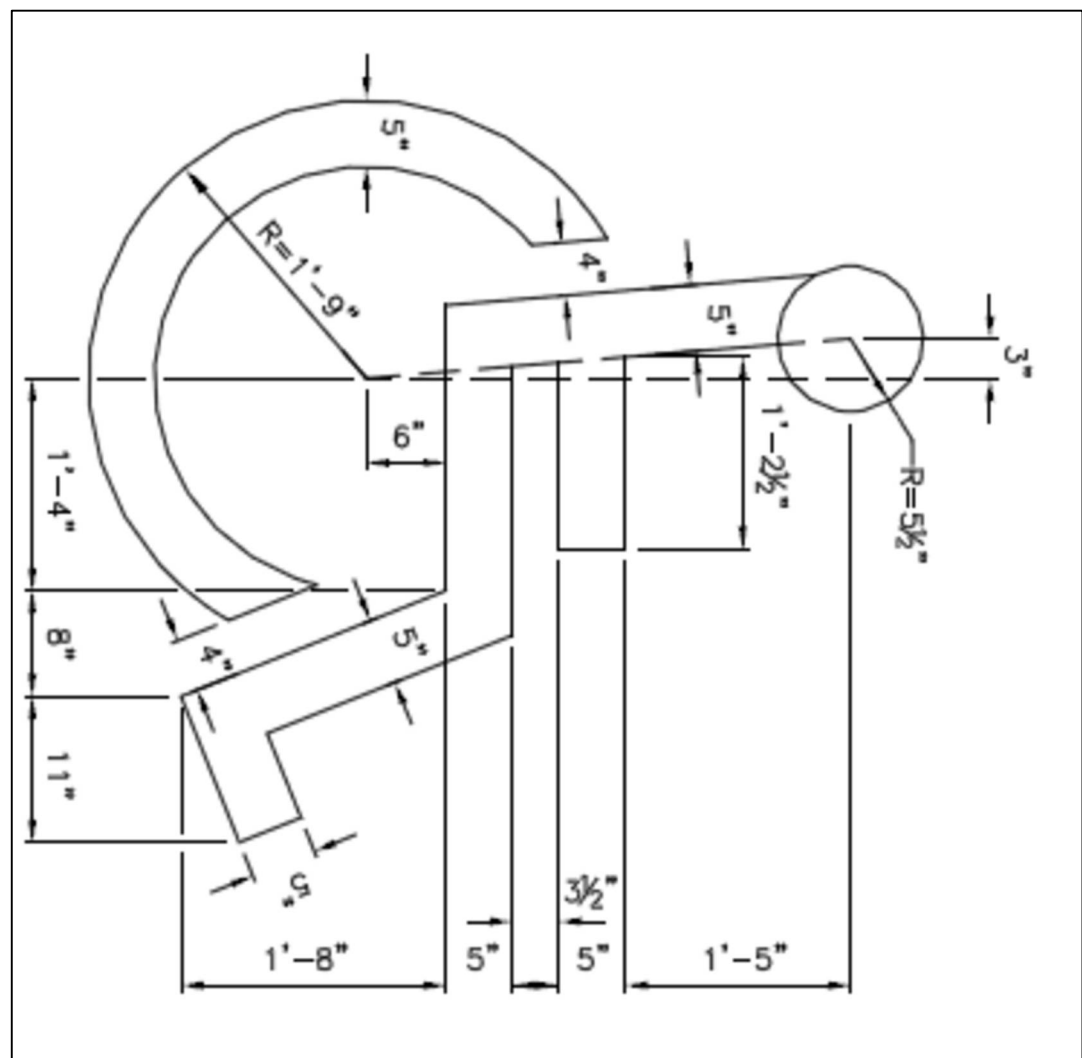
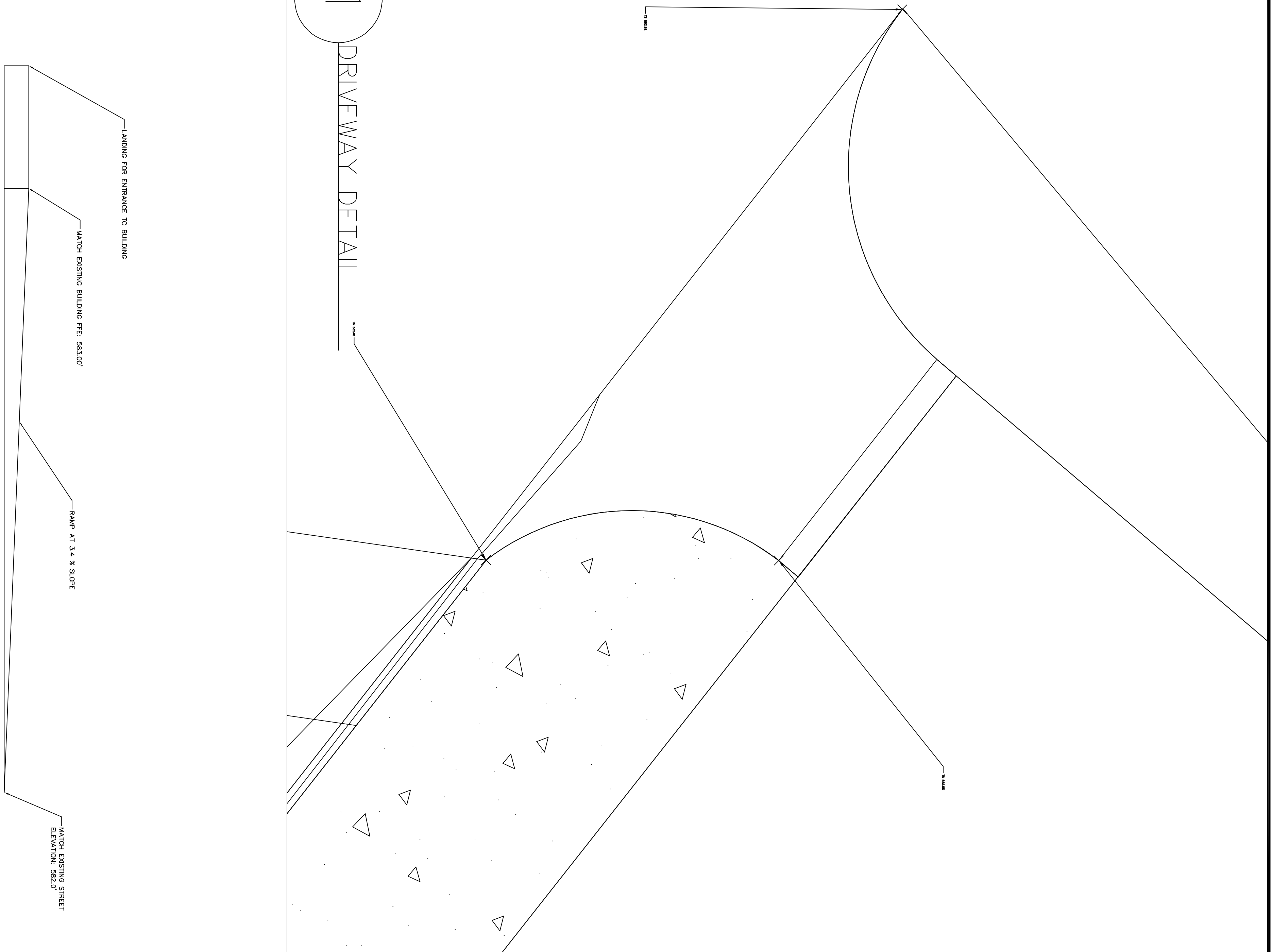
705 1ST STREET
KEOSAUQA, IA 52565



THE UNIVERSITY OF IOWA CIVIL AND ENVIRONMENTAL ENGINEERING

4105 SEAMANS CENTER FOR THE
ENGINEERING ARTS AND SCIENCES
103 S CAPITOL ST
IOWA CITY, IOWA 52242
PHONE: 319.335.5647
FAX: 319.335.5660
EMAIL: civil-hawks@uiowa.edu

PROJECT:	CEE: 4850
DATE :	05/07/2023
DRAWN BY:	STB
REVISION:	



C2.0

SHEET NO.
 SHEET NAME
 SITE DETAILS

KEOSAUQA BUILDING

705 1ST STREET
 KEOSAUQA, IA 52565

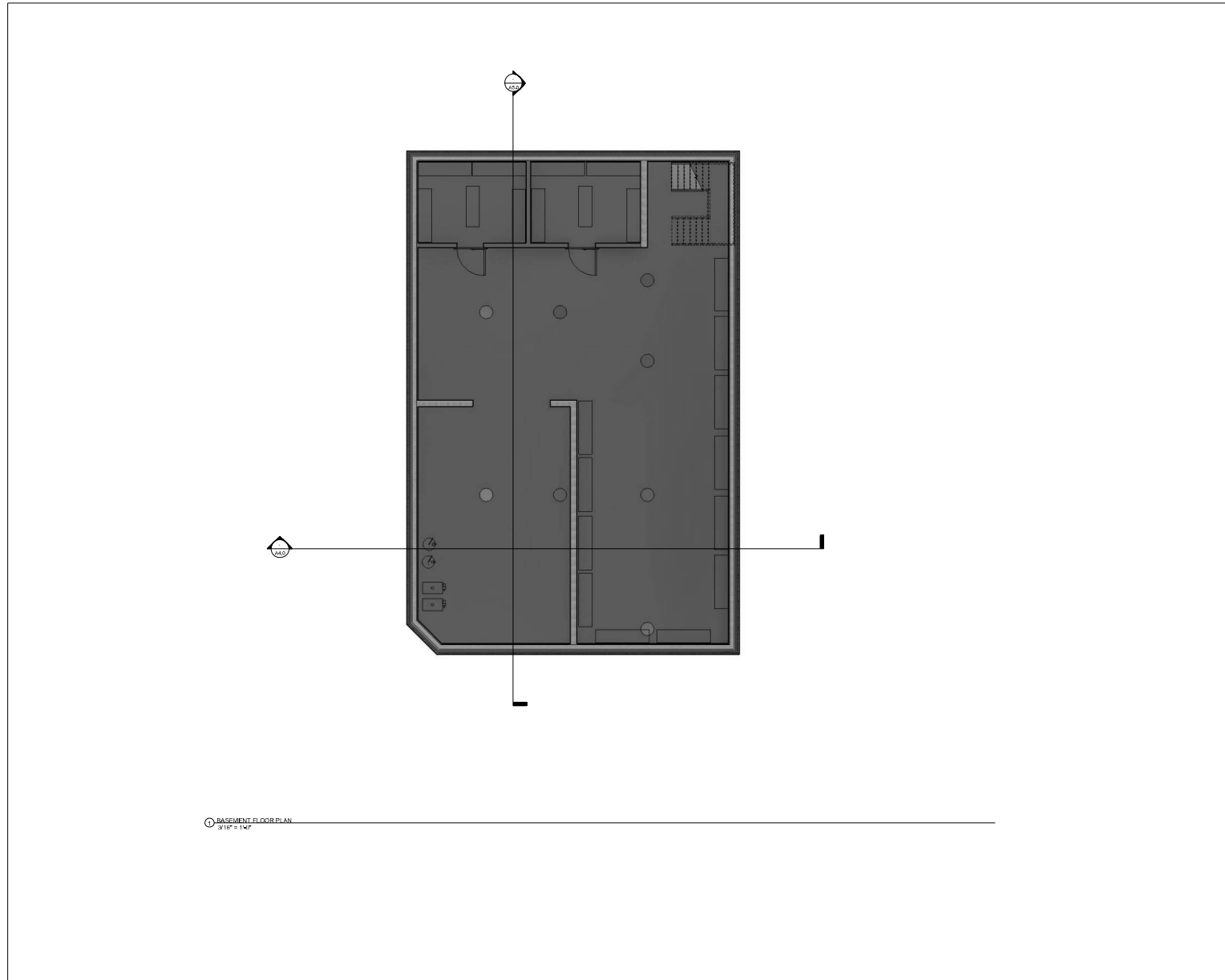
EDUCATIONAL, NOT FOR CONSTRUCTION



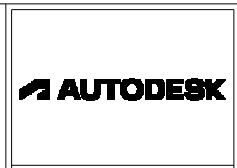
THE UNIVERSITY OF IOWA
 CIVIL AND ENVIRONMENTAL ENGINEERING

4105 SEAMANS CENTER FOR THE
 ENGINEERING ARTS AND SCIENCES
 103 S CAPITOL ST
 IOWA CITY, IOWA 52242
 PHONE: 319.335.5647
 FAX: 319.335.5660
 EMAIL: civil-hawks@uiowa.edu

PROJECT:	CEE: 4850
DATE :	05/07/2023
DRAWN BY:	STB
REVISION:	



Ⓒ BASEMENT FLOOR PLAN
3/16" = 1'-0"



www.autodesk.com/revit

Consultant
Address
Address
Address
Phone

Consultant
Address
Address
Address
Phone

Consultant
Address
Address
Address
Phone

Consultant
Address
Address
Address
Phone

Consultant
Address
Address
Address
Phone

No.	Description	Date

JOY PADGET
KEOSAQUA
BUILDING
REHABILITATION

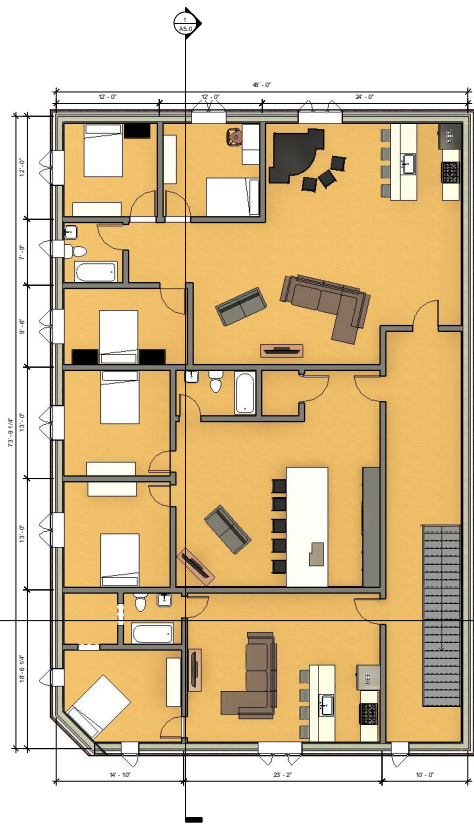
BASEMENT
LAYOUT

Project Number: C-2
 Date: 3/28/2023
 Drawn By: Author
 Checked By: Checker

A1.0

Scale: 3/16" = 1'-0"

4/11/2023 8:00:28 PM



SECOND FLOOR PLAN
3/16" = 1'-0"



www.autodesk.com/revit

Consultant
Address
Address
Address
Phone

Consultant
Address
Address
Address
Phone

Consultant
Address
Address
Address
Phone

Consultant
Address
Address
Address
Phone

Consultant
Address
Address
Address
Phone

No.	Description	Date

JOY PADGET
KEOSAQUA
BUILDING
REHABILITATION
SECOND FLOOR
LAYOUT

Project Number C.2

Date 3/28/2023

Drawn By Author

Checked By Checker

A1.2

Scale 3/16" = 1'-0"

4/10/2023 8:05:10 PM



www.autodesk.com/revit

Consultant
Address
Address
Address
Phone

Consultant
Address
Address
Address
Phone

Consultant
Address
Address
Address
Phone

Consultant
Address
Address
Address
Phone

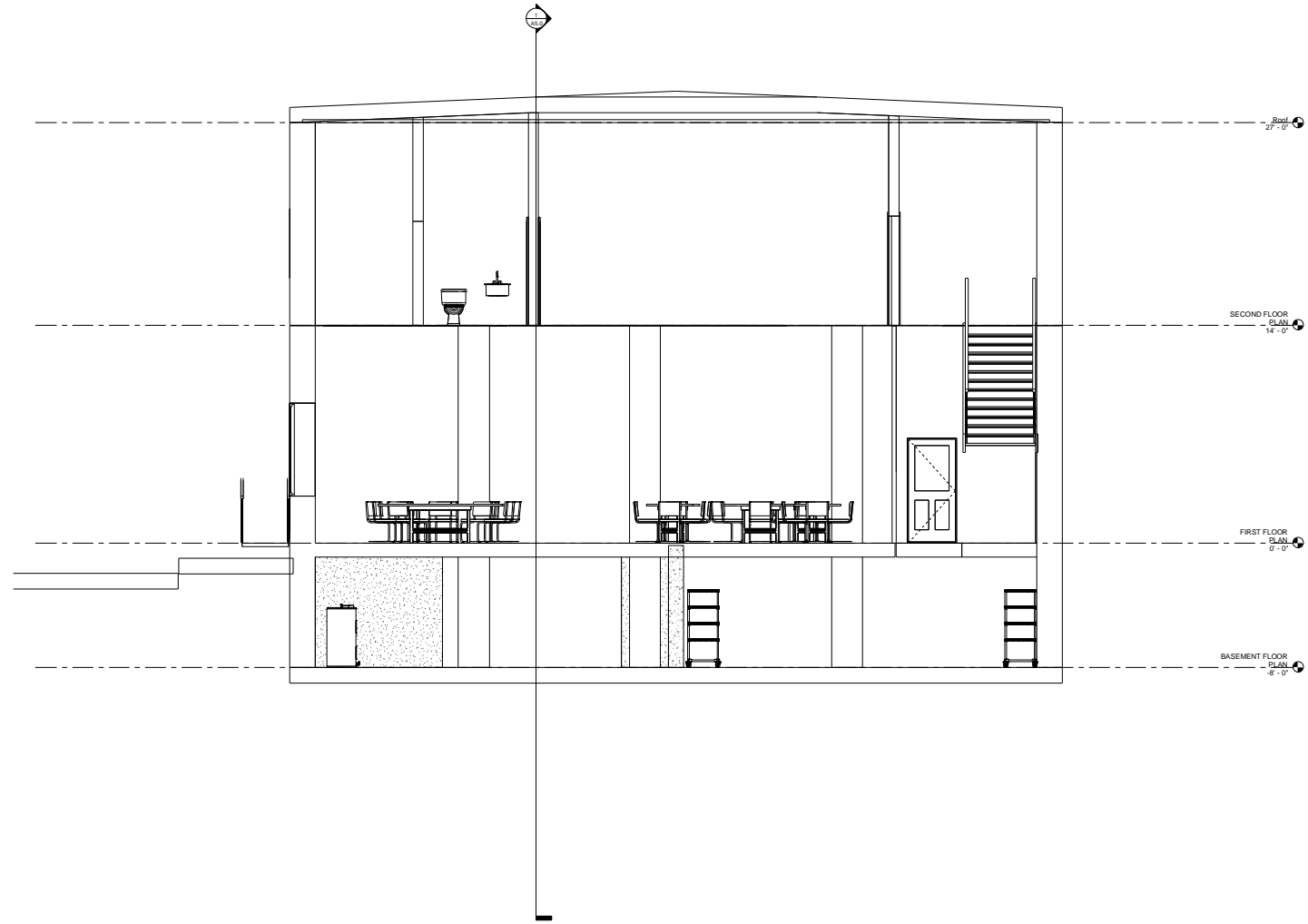
Consultant
Address
Address
Address
Phone

No.	Description	Date

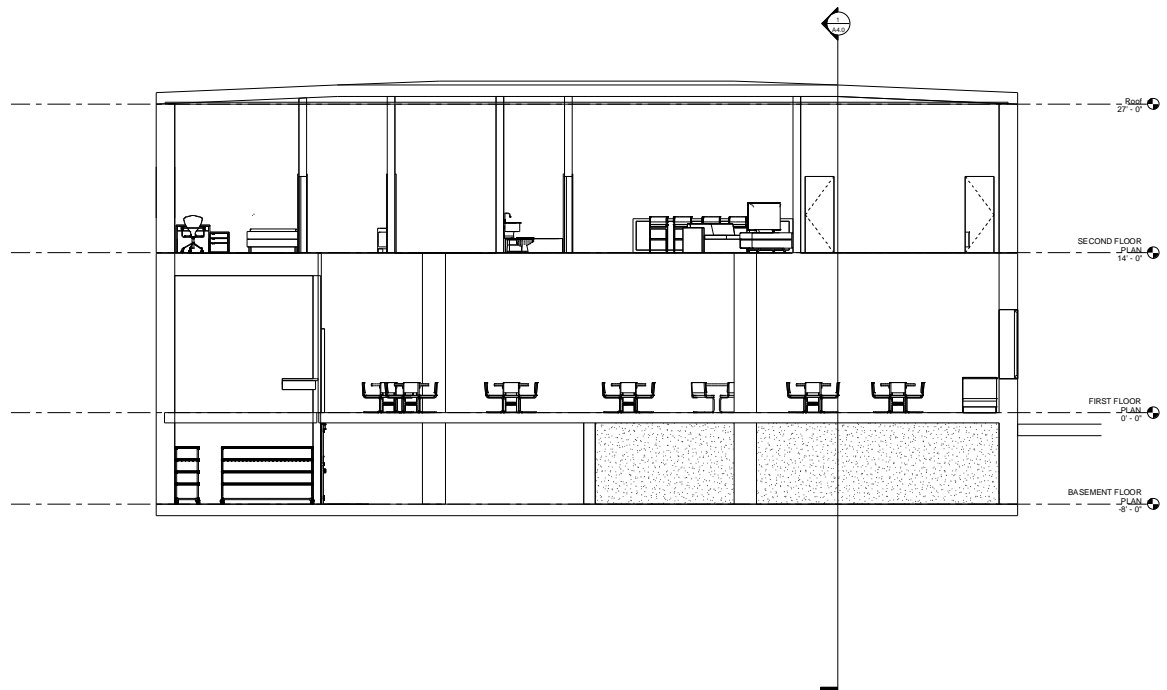
**JOY PADGET
KEOSAQUA
BUILDING
REHABILITATION**
**NORTH SOUTH
SECTION CUT**

Project Number	C.2
Date	3/28/2023
Drawn By	STMC
Checked By	STMC
A4.0	
Scale	3/8" = 1'-0"

4/10/2023 8:10:38 PM



Exact view
3/8" = 1'-0"



① Side view
1/4" = 1'-0"



www.autodesk.com/revit

Consultant
Address
Address
Address
Phone

Consultant
Address
Address
Address
Phone

Consultant
Address
Address
Address
Phone

Consultant
Address
Address
Address
Phone

Consultant
Address
Address
Address
Phone

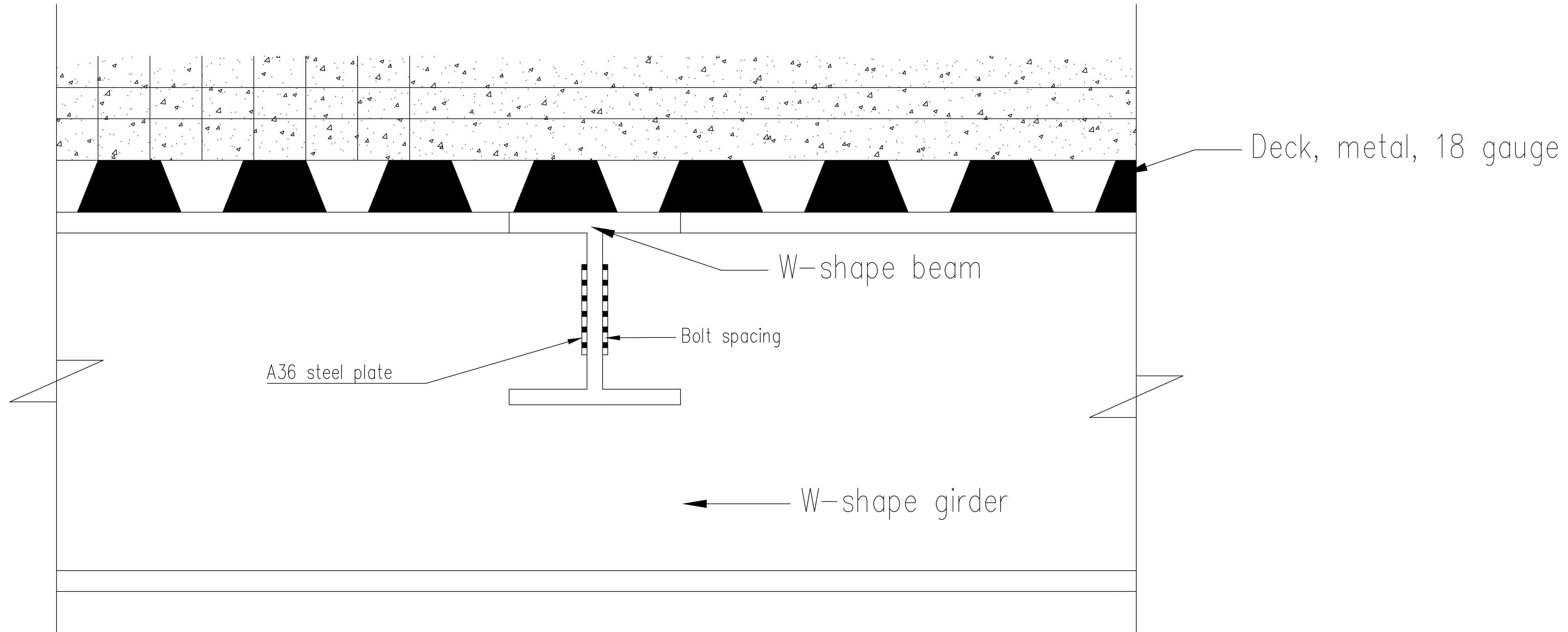
No.	Description	Date

JOY PADGET KEOSAUQUA BUILDING REHABILITATION EAST WEST SECTION CUT

Project Number	C.2
Date	3/28/2023
Drawn By	STMC
Checked By	STMC

A5.0
Scale 1/4" = 1'-0"

4/10/2023 8:10:50 PM



PROJECT:	CEE: 4860
DATE :	5/52023
DRAWN BY:	STMC ENG INC.
REVISION:	

THE UNIVERSITY OF IOWA
CIVIL AND ENVIRONMENTAL ENGINEERING
 4105 SEAMANS CENTER FOR THE
 ENGINEERING ARTS AND SCIENCES
 103 S CAPITOL ST
 IOWA CITY, IOWA 52242
 PHONE: 319.335.5647
 FAX: 319.335.5660
 EMAIL: civil-hawks@iowa.edu

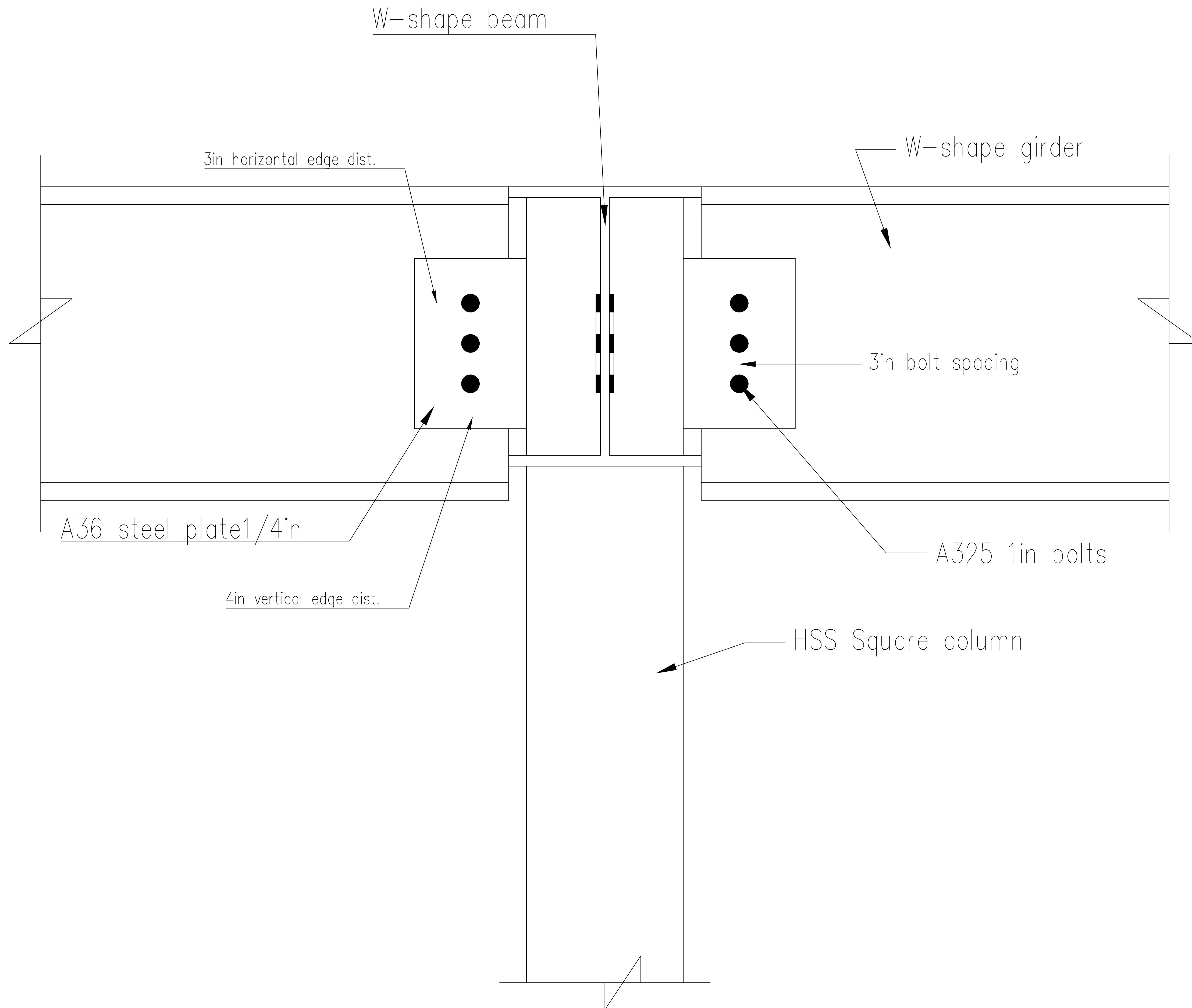
CEE logo BW - no text.tif

EDUCATIONAL - NOT
 FOR CONSTRUCTION

KEOSAQUA BUILDING
 705, 1ST STREET
 KEOSAQUA, IA 52565

SHEET NAME
 DETAIL-3
 SLAB NORTH

SHEET NO.
SD1.3



PROJECT:	CEE: 4860
DATE :	5/52023
DRAWN BY:	STM ENG INC.
REVISION:	

THE UNIVERSITY OF IOWA
CIVIL AND ENVIRONMENTAL ENGINEERING
 4105 SEAMANS CENTER FOR THE
 ENGINEERING ARTS AND SCIENCES
 103 S CAPITOL ST
 IOWA CITY, IOWA 52242
 PHONE: 319.335.5647
 FAX: 319.335.5660
 EMAIL: civil-hawks@iowca.edu

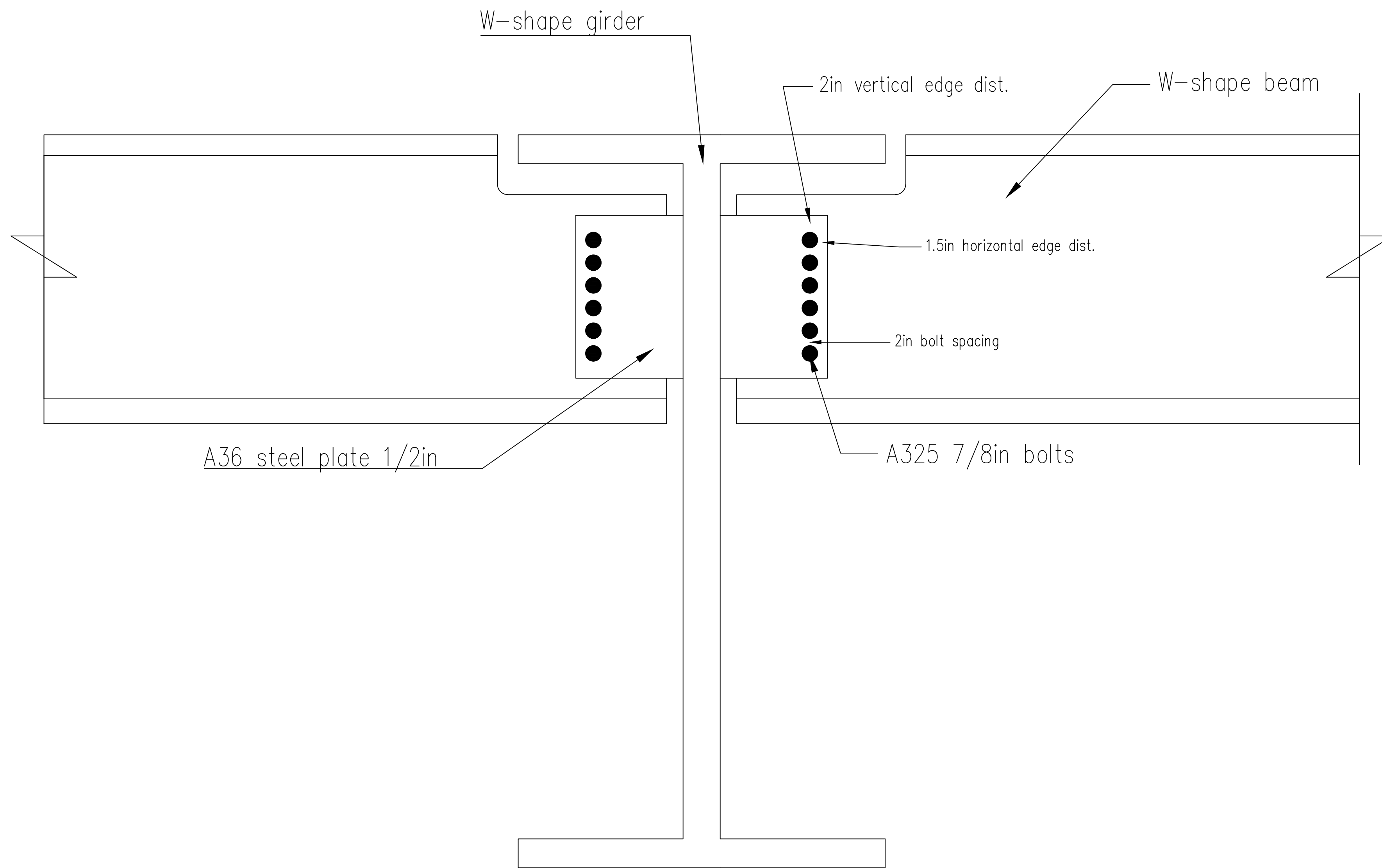
CEE logo BW - no text.tif

EDUCATIONAL - NOT FOR CONSTRUCTION

STRUCTURAL DETAIL
 705, 1ST STREET
 KEOSAUQUA, IA 52565

SHEET NAME
 DETAIL-2
 GIRDER TO COLUMN

SHEET NO.
SD1.2



PROJECT:	CEE: 4860
DATE :	5/52023
DRAWN BY:	STMC ENG INC.
REVISION:	

THE UNIVERSITY OF IOWA
CIVIL AND ENVIRONMENTAL ENGINEERING
 4105 SEAMANS CENTER FOR THE
 ENGINEERING ARTS AND SCIENCES
 103 S CAPITOL ST
 IOWA CITY, IOWA 52242
 PHONE: 319.335.5647
 FAX: 319.335.5660
 EMAIL: civil-hawks@iowa.edu

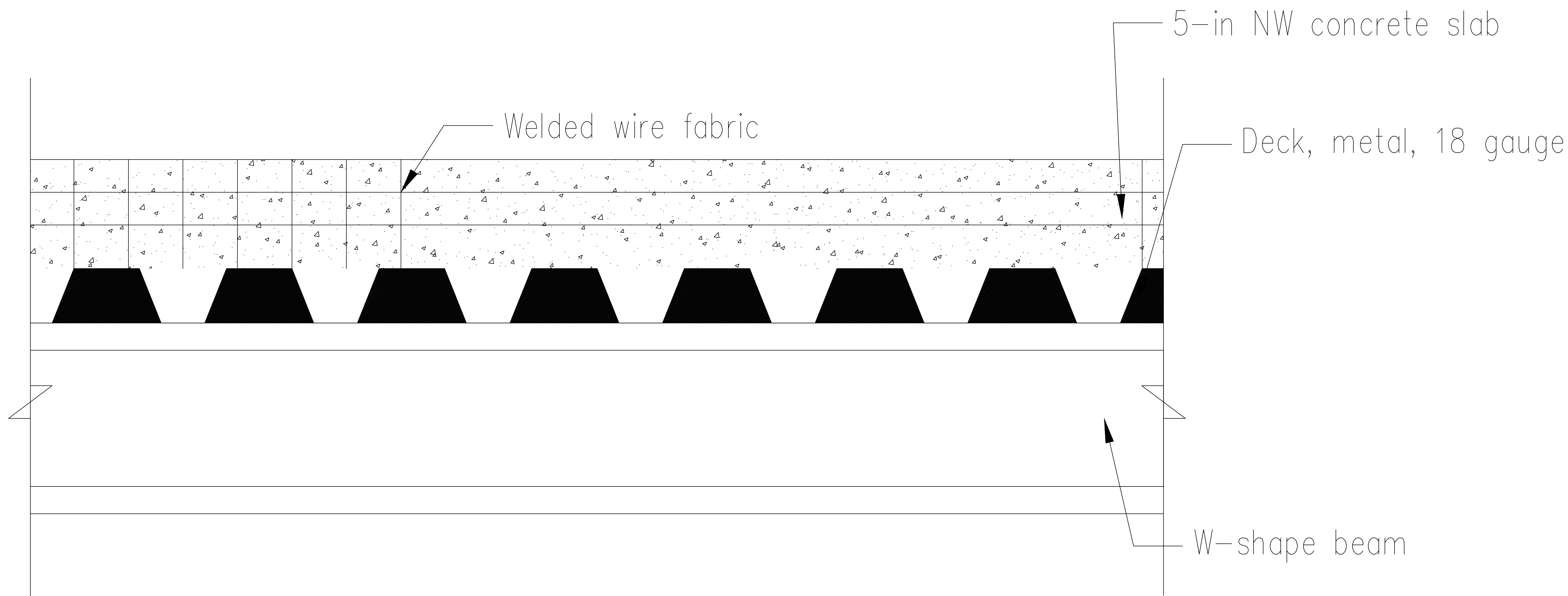
CEE logo BW - no text.tif

EDUCATIONAL - NOT FOR CONSTRUCTION

STRUCTURAL DETAIL
 705, 1ST STREET
 KEOSAUQUA, IA 52565

SHEET NAME
 DETAIL-1
 BEAM TO GIRDER

SHEET NO.
SD1.1



PROJECT:	CEE: 4860
DATE :	5/52023
DRAWN BY:	STM ENG INC.
REVISION:	

THE UNIVERSITY OF IOWA
CIVIL AND ENVIRONMENTAL ENGINEERING
 4105 SEAMANS CENTER FOR THE
 ENGINEERING ARTS AND SCIENCES
 103 S CAPITOL ST
 IOWA CITY, IOWA 52242
 PHONE: 319.335.5647
 FAX: 319.335.5660
 EMAIL: civil-hawks@iowa.edu

CEE logo BW - no text.tif

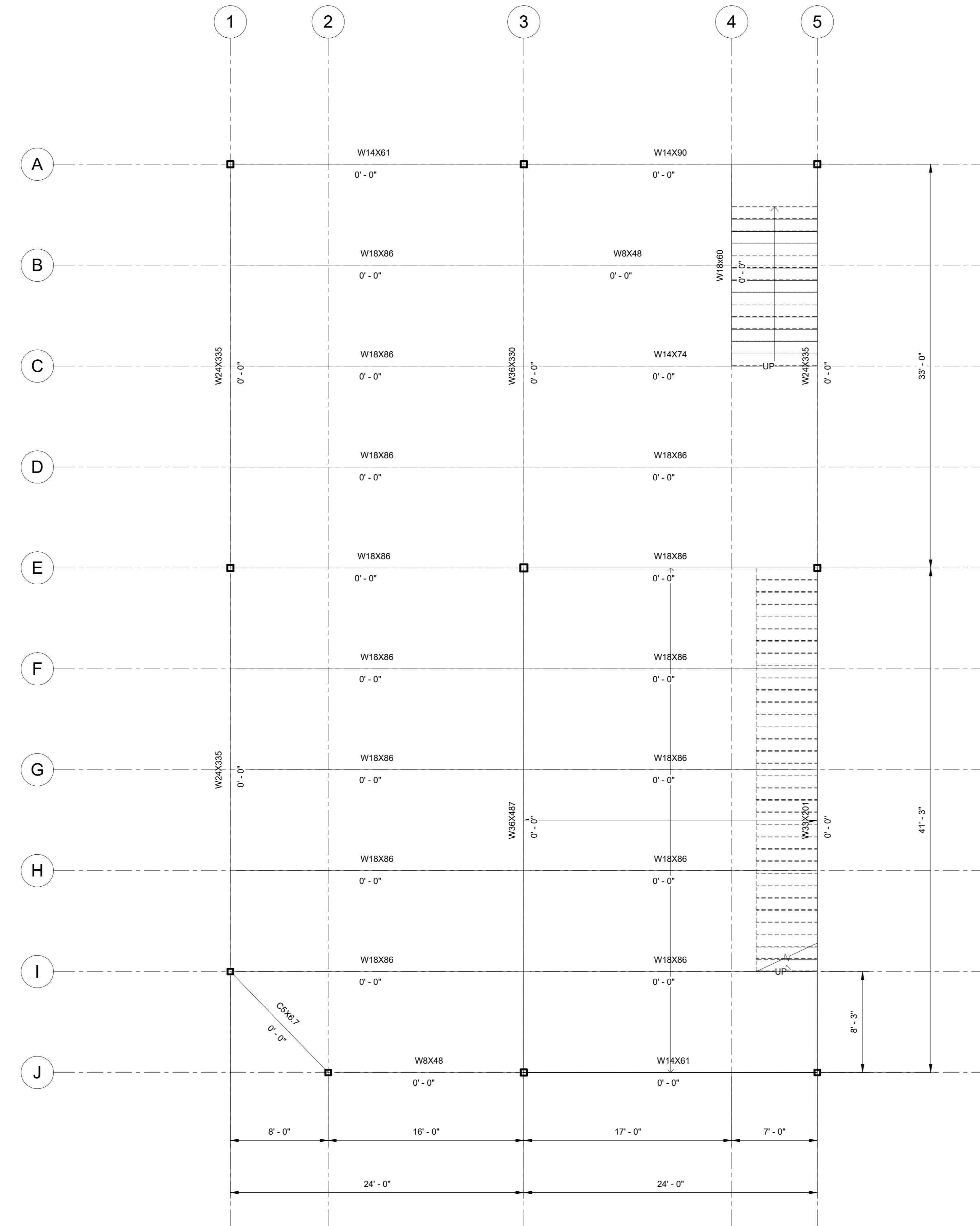
EDUCATIONAL - NOT
 FOR CONSTRUCTION

STRUCTURAL DETAIL

705, 1ST STREET
 KEOSAUQUA, IA 52565

SHEET NAME
 DETAIL-4
 SLAB(WEST VIEW)

SHEET NO.
SD1.4



① Level 1
3/16" = 1'-0"

PROJECT:	CEE:4164-2
DATE:	5/5/2023
DRAWN BY:	TWW
REVISION:	MIC

THE UNIVERSITY OF IOWA
CIVIL AND ENVIRONMENTAL ENGINEERING
 4105 SEAMANS CENTER FOR THE
 ENGINEERING ARTS AND SCIENCES
 103 S CAPITOL ST
 IOWA CITY, IOWA 52242
 PHONE: 319.335.5647
 FAX: 319.335.5660
 EMAIL: civil-hawks@uiowa.edu

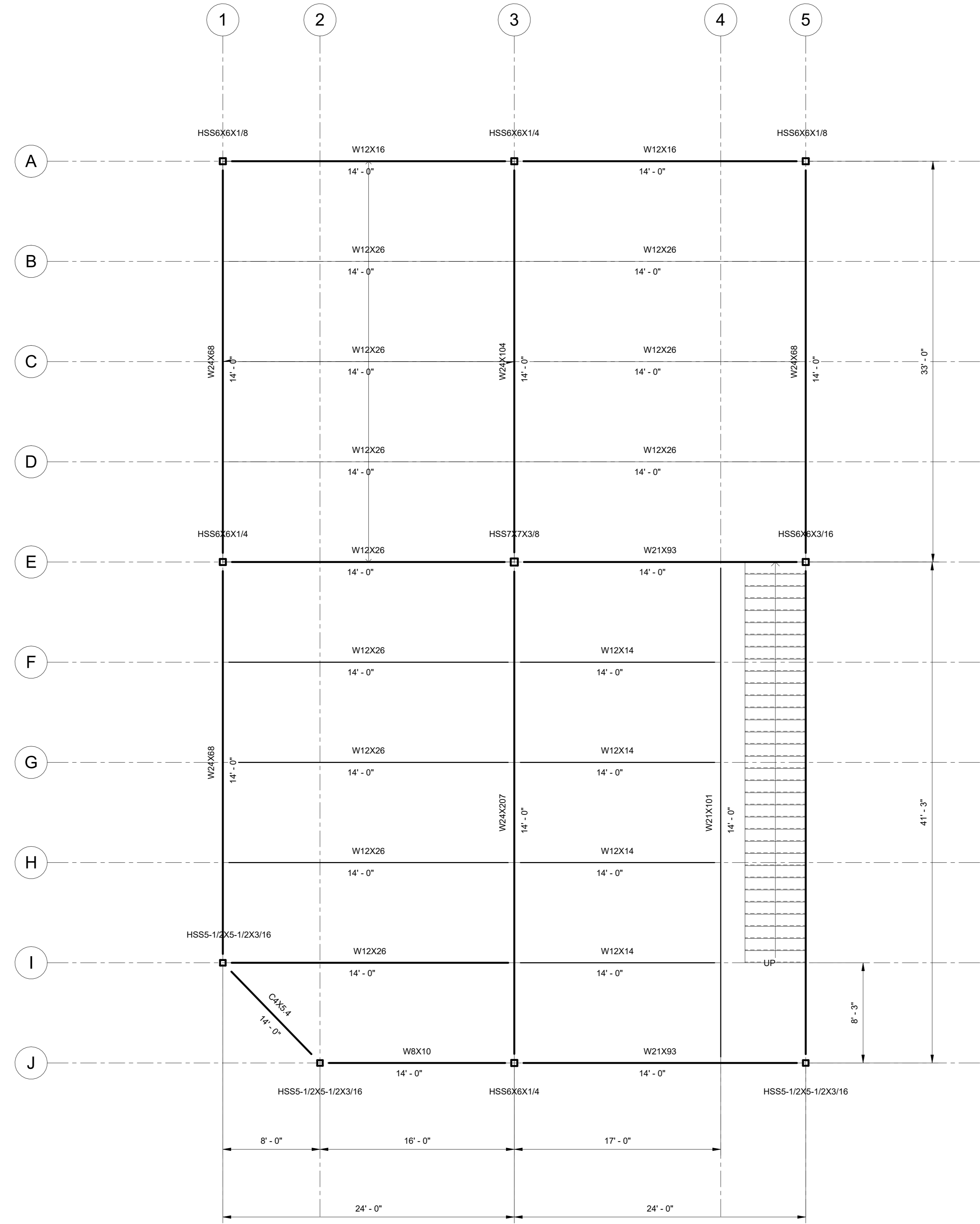


EDUCATIONAL - NOT
FOR CONSTRUCTION

KEOSAQUA REHABILITATION
 705 1ST STREET
 KEOSAQUA IA, 52565

SHEET NAME
 FIRST FLOOR
 FRAMING PLAN

SHEET NO.
A1.0



① Level 2
3/16" = 1'-0"

PROJECT:	CEE:4164-2
DATE:	5/5/2023
DRAWN BY:	TWW
REVISION:	MIC

THE UNIVERSITY OF IOWA
CIVIL AND ENVIRONMENTAL ENGINEERING
 4105 SEAMANS CENTER FOR THE
 ENGINEERING ARTS AND SCIENCES
 103 S CAPITOL ST
 IOWA CITY, IOWA 52242
 PHONE: 319.335.5647
 FAX: 319.335.5660
 EMAIL: civil-hawks@uiowa.edu



EDUCATIONAL - NOT
FOR CONSTRUCTION

KEOSAQUA REHABILITATION

705 1ST STREET
KEOSAQUA IA, 52565

SHEET NAME
FIRST FLOOR
FRAMING PLAN

SHEET NO.
A2.0